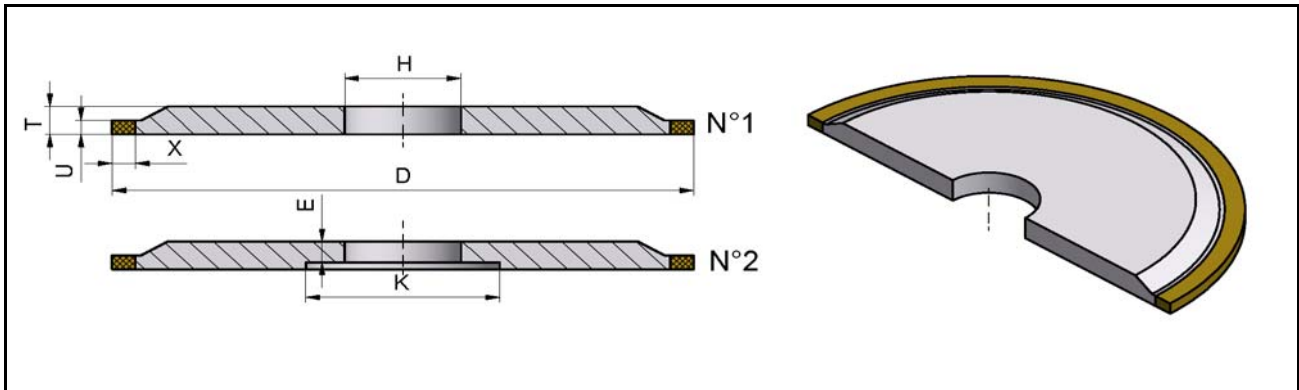
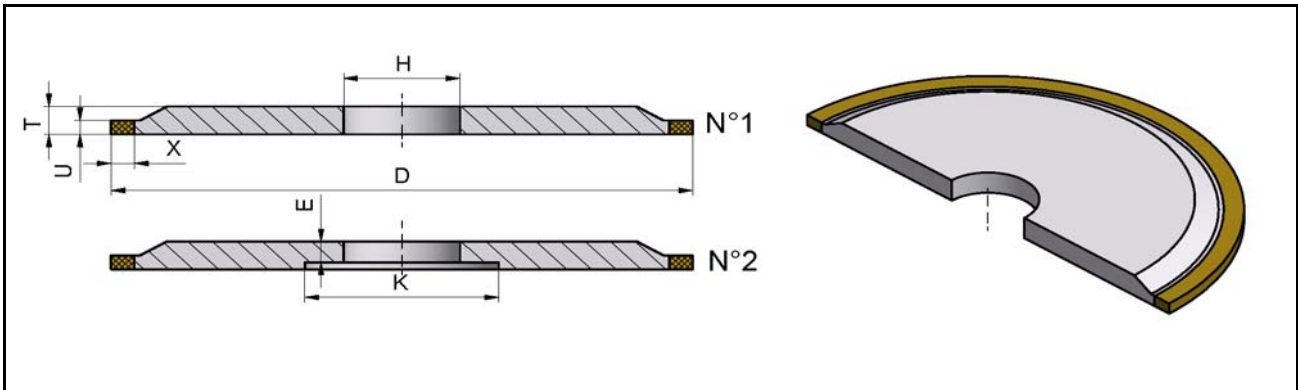


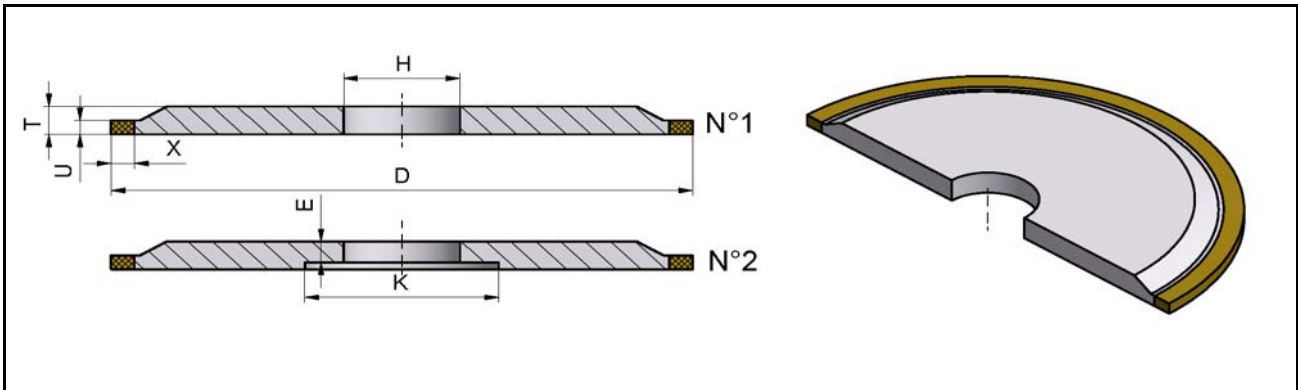
DRAWING	DIMENSIONS	BODY MATERIAL	N°
3A1-599AR	D 30-T 4-H12.00-U 3-X 3	ALUMINIUM BODY FOR RESIN	1
3A1-338AR	D 40-T 4-H10.00-U 3-X 4.5	ALUMINIUM BODY FOR RESIN	1
3A1-549AR	D 40-T 4-H12.00-U 3-X 4.5	ALUMINIUM BODY FOR RESIN	1
3A1-183AR	D 40-T 6-H10.00-U 3-X 4.5	ALUMINIUM BODY FOR RESIN	1
3A1-032AR	D 40-T 6-H10.00-U 4-X 4.5	ALUMINIUM BODY FOR RESIN	1
3A1-504CP	D 50-T 3 -H20.00-U 1 -X 3	COPPER BODY FOR POLYIMIDE	1
3A1-505CP	D 50-T 3.1-H20.00-U 1.1-X 3	COPPER BODY FOR POLYIMIDE	1
3A1-444CP	D 50-T 3.6-H25.00-U 1.6-X 6	COPPER BODY FOR POLYIMIDE	1
3A1-564CP	D 50-T 4-H10.00-U 2-X 6	COPPER BODY FOR POLYIMIDE	1
3A1-551CP	D 50-T 4-H10.00-U 3-X 6	COPPER BODY FOR POLYIMIDE	1
3A1-397CP	D 50-T 4-H12.00-U 2-X 6	COPPER BODY FOR POLYIMIDE	1
3A1-467CP	D 50-T 4-H20.00-U 2-X 3	COPPER BODY FOR POLYIMIDE	1
3A1-339CP	D 50-T 4-H20.00-U 3-X 3	COPPER BODY FOR POLYIMIDE	1
3A1-322CP	D 50-T 4-H25.00-U 2-X 3	COPPER BODY FOR POLYIMIDE	1
3A1-330CP	D 50-T 4-H25.00-U 3-X 3	COPPER BODY FOR POLYIMIDE	1
3A1-469CP	D 50-T 5-H10.00-U 3-X 3	COPPER BODY FOR POLYIMIDE	1
3A1-416AR	D 50-T 6-H10.00-U 1-X 3	ALUMINIUM BODY FOR RESIN	1
3A1-482XP	D 50-T 6-H10.00-U 3-X 6	ALU+COPPER BODY FOR POLYIMIDE	1
3A1-509XP	D 50-T 6-H20.00-U 2-X 6	ALU+COPPER BODY FOR POLYIMIDE	1
3A1-353XP	D 50-T 6-H20.00-U 3-X 6	ALU+COPPER BODY FOR POLYIMIDE	1
3A1-448CP	D 50-T 6-H20.00-U 4-X 6	COPPER BODY FOR POLYIMIDE	1
3A1-350CP	D 50-T 6-H20.00-U 5-X 3	COPPER BODY FOR POLYIMIDE	1
3A1-422XP	D 50-T 6-H25.00-U 2-X 6	ALU+COPPER BODY FOR POLYIMIDE	1
3A1-264AR	D 50-T 6-H25.00-U 3-X 6	ALUMINIUM BODY FOR RESIN	1
3A1-264XP	D 50-T 6-H25.00-U 3-X 6	ALU+COPPER BODY FOR POLYIMIDE	1
3A1-395XP	D 50-T 8-H20.00-U 3-X 6	ALU+COPPER BODY FOR POLYIMIDE	1
3A1-230XP	D 50-T10-H20.00-U 6-X 6	ALU+COPPER BODY FOR POLYIMIDE	1
3A1-565CP	D 75-T 4-H10.00-U 2-X 6	COPPER BODY FOR POLYIMIDE	1
3A1-414PR	D 75-T 6-H10.00-U 1 -X 6	PRESS ALU.BODY FOR RESIN	1
3A1-307PR	D 75-T 6-H10.00-U 2 -X 6	PRESS ALU.BODY FOR RESIN	1
3A1-307XP	D 75-T 6-H10.00-U 2 -X 6	ALU+COPPER BODY FOR POLYIMIDE	1
3A1-307SM	D 75-T 6-H10.00-U 2-X 6	STEEL BODY FOR METAL BOND	1
3A1-343PR	D 75-T 6-H10.00-U 3 -X 6	PRESS ALU.BODY FOR RESIN	1
3A1-343XP	D 75-T 6-H10.00-U 3 -X 6	ALU+COPPER BODY FOR POLYIMIDE	1
3A1-335PR	D 75-T 6-H10.00-U 3.5-X 6	PRESS ALU.BODY FOR RESIN	1
3A1-382PR	D 75-T 6-H10.00-U 4 -X 6	PRESS ALU.BODY FOR RESIN	1
3A1-382CP	D 75-T 6-H10.00-U 4-X 6	COPPER BODY FOR POLYIMIDE	1
3A1-381CP	D 75-T 6-H10.00-U 5 -X 6	COPPER BODY FOR POLYIMIDE	1
3A1-381PR	D 75-T 6-H10.00-U 5 -X 6	PRESS ALU.BODY FOR RESIN	1



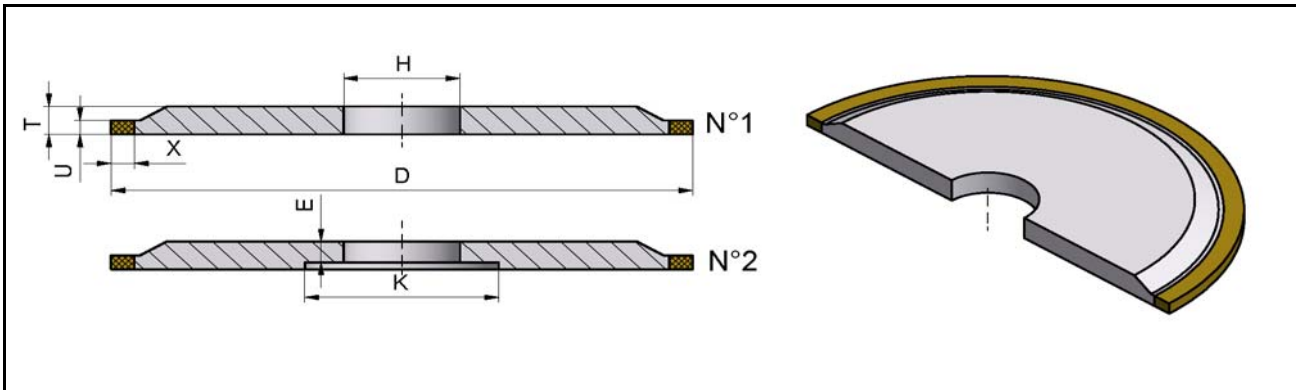
DRAWING	DIMENSIONS	BODY MATERIAL	N°
3A1-609XP	D 75-T 6-H20.00-U 1 -X 6	ALU+COPPER BODY FOR POLYIMIDE	1
3A1-493PR	D 75-T 6-H20.00-U 1.2-X 6	PRESS ALU.BODY FOR RESIN	1
3A1-535PR	D 75-T 6-H20.00-U 1.5-X 6	PRESS ALU.BODY FOR RESIN	1
3A1-535SM	D 75-T 6-H20.00-U 1.5-X 6	STEEL BODY FOR METAL BOND	1
3A1-535XP	D 75-T 6-H20.00-U 1.5-X 6	ALU+COPPER BODY FOR POLYIMIDE	1
3A1-225PR	D 75-T 6-H20.00-U 2 -X 6	PRESS ALU.BODY FOR RESIN	1
3A1-225SM	D 75-T 6-H20.00-U 2 -X 6	STEEL BODY FOR METAL BOND	1
3A1-225XP	D 75-T 6-H20.00-U 2 -X 6	ALU+COPPER BODY FOR POLYIMIDE	1
3A1-354PR	D 75-T 6-H20.00-U 2.5-X 6	PRESS ALU.BODY FOR RESIN	1
3A1-354XP	D 75-T 6-H20.00-U 2.5-X 6	ALU+COPPER BODY FOR POLYIMIDE	1
3A1-340PR	D 75-T 6-H20.00-U 3-X 6	PRESS ALU.BODY FOR RESIN	1
3A1-340SM	D 75-T 6-H20.00-U 3-X 6	STEEL BODY FOR METAL BOND	1
3A1-340XP	D 75-T 6-H20.00-U 3-X 6	ALU+COPPER BODY FOR POLYIMIDE	1
3A1-337CP	D 75-T 6-H20.00-U 4-X 6	COPPER BODY FOR POLYIMIDE	1
3A1-337PR	D 75-T 6-H20.00-U 4-X 6	PRESS ALU.BODY FOR RESIN	1
3A1-337SM	D 75-T 6-H20.00-U 4-X 6	STEEL BODY FOR METAL BOND	1
3A1-508CP	D 75-T 6-H20.00-U 5-X 6	COPPER BODY FOR POLYIMIDE	1
3A1-341XP	D 75-T 6-H25.00-U 1 -X 6	ALU+COPPER BODY FOR POLYIMIDE	1
3A1-616XP	D 75-T 6-H25.00-U 1.5-X 6	ALU+COPPER BODY FOR POLYIMIDE	1
3A1-498SM	D 75-T 6-H25.00-U 1.6-X 6	STEEL BODY FOR METAL BOND	1
3A1-224PR	D 75-T 6-H25.00-U 2 -X 6	PRESS ALU.BODY FOR RESIN	1
3A1-224XP	D 75-T 6-H25.00-U 2 -X 6	ALU+COPPER BODY FOR POLYIMIDE	1
3A1-532SM	D 75-T 6-H25.00-U 2.1-X 6	STEEL BODY FOR METAL BOND	1
3A1-617XP	D 75-T 6-H25.00-U 2.5-X 6	ALU+COPPER BODY FOR POLYIMIDE	1
3A1-222PR	D 75-T 6-H25.00-U 3-X 6	PRESS ALU.BODY FOR RESIN	1
3A1-222XP	D 75-T 6-H25.00-U 3-X 6	ALU+COPPER BODY FOR POLYIMIDE	1
3A1-223CP	D 75-T 6-H25.00-U 4 -X 6	COPPER BODY FOR POLYIMIDE	1
3A1-223PR	D 75-T 6-H25.00-U 4 -X 6	PRESS ALU.BODY FOR RESIN	1
3A1-582XP	D 75-T 6-H31.75-U 1 -X 6	ALU+COPPER BODY FOR POLYIMIDE	1
3A1-613XP	D 75-T 6-H31.75-U 2 -X 6	ALU+COPPER BODY FOR POLYIMIDE	1
3A1-464PR	D 75-T 6-H31.75-U 2.5-X 6	PRESS ALU.BODY FOR RESIN	1
3A1-489PR	D 75-T 6-H31.75-U 3 -X 6	PRESS ALU.BODY FOR RESIN	1
3A1-489XP	D 75-T 6-H31.75-U 3 -X 6	ALU+COPPER BODY FOR POLYIMIDE	1
3A1-424PR	D 75-T 6-H31.75-U 4 -X 6	PRESS ALU.BODY FOR RESIN	1
3A1-425XP	D 75-T 6-H32.00-U 2-X 6	ALU+COPPER BODY FOR POLYIMIDE	1
3A1-411XP	D 75-T 6-H35.00-U 2 -X 6	ALU+COPPER BODY FOR POLYIMIDE	1
3A1-411PR	D 75-T 6-H35.00-U 2-X 6	PRESS ALU.BODY FOR RESIN	1
3A1-475XP	D 75-T 6-H35.00-U 3-X 6	ALU+COPPER BODY FOR POLYIMIDE	1
3A1-326CP	D 75-T 8-H20.00-U 6-X 6	COPPER BODY FOR POLYIMIDE	1



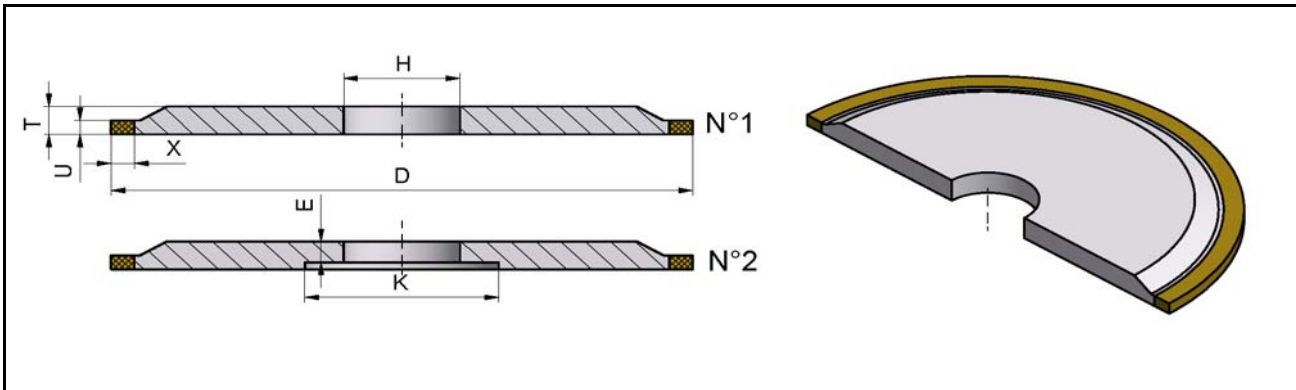
DRAWING	DIMENSIONS	BODY MATERIAL	N°
3A1-473PR	D 75-T10-H31.75-U 6-X 6	PRESS ALU.BODY FOR RESIN	1
3A1-190CP	D 80-T 4-H20.00-U 2-X 6	COPPER BODY FOR POLYIMIDE	1
3A1-190PR	D 80-T 4-H20.00-U 2-X 6	PRESS ALU.BODY FOR RESIN	1
3A1-267XP	D 80-T 6-H10.00-U 1.5-X 6	ALU+COPPER BODY FOR POLYIMIDE	1
3A1-075PR	D 80-T 6-H10.00-U 2-X 6	PRESS ALU.BODY FOR RESIN	1
3A1-075XP	D 80-T 6-H10.00-U 2-X 6	ALU+COPPER BODY FOR POLYIMIDE	1
3A1-041PR	D 80-T 6-H10.00-U 3-X 6	PRESS ALU.BODY FOR RESIN	1
3A1-041XP	D 80-T 6-H10.00-U 3-X 6	ALU+COPPER BODY FOR POLYIMIDE	1
3A1-076CP	D 80-T 6-H10.00-U 4-X 6	COPPER BODY FOR POLYIMIDE	1
3A1-076PR	D 80-T 6-H10.00-U 4-X 6	PRESS ALU.BODY FOR RESIN	1
3A1-547XP	D 80-T 6-H20.00-U 0.8-X 6	ALU+COPPER BODY FOR POLYIMIDE	1
3A1-573XP	D 80-T 6-H20.00-U 0.9-X 6	ALU+COPPER BODY FOR POLYIMIDE	1
3A1-603XP	D 80-T 6-H20.00-U 1 -X 6	ALU+COPPER BODY FOR POLYIMIDE	1
3A1-437XP	D 80-T 6-H20.00-U 1.5-X 6	ALU+COPPER BODY FOR POLYIMIDE	1
3A1-092PR	D 80-T 6-H20.00-U 2-X 6	PRESS ALU.BODY FOR RESIN	1
3A1-092XP	D 80-T 6-H20.00-U 2-X 6	ALU+COPPER BODY FOR POLYIMIDE	1
3A1-091PR	D 80-T 6-H20.00-U 3-X 6	PRESS ALU.BODY FOR RESIN	1
3A1-091SM	D 80-T 6-H20.00-U 3-X 6	STEEL BODY FOR METAL BOND	1
3A1-091XP	D 80-T 6-H20.00-U 3-X 6	ALU+COPPER BODY FOR POLYIMIDE	1
3A1-093CP	D 80-T 6-H20.00-U 4-X 6	COPPER BODY FOR POLYIMIDE	1
3A1-093PR	D 80-T 6-H20.00-U 4-X 6	PRESS ALU.BODY FOR RESIN	1
3A1-333CP	D 80-T 6-H20.00-U 5-X 6	COPPER BODY FOR POLYIMIDE	1
3A1-333PR	D 80-T 6-H20.00-U 5-X 6	PRESS ALU.BODY FOR RESIN	1
3A1-459XP	D 80-T 6-H25.00-U 0.9-X 6	ALU+COPPER BODY FOR POLYIMIDE	1
3A1-435XP	D 80-T 6-H25.00-U 1.5-X 6	ALU+COPPER BODY FOR POLYIMIDE	1
3A1-457SM	D 80-T 6-H25.00-U 1.6-X 6	STEEL BODY FOR METAL BOND	1
3A1-028PR	D 80-T 6-H25.00-U 2 -X 6	PRESS ALU.BODY FOR RESIN	1
3A1-028SM	D 80-T 6-H25.00-U 2 -X 6	STEEL BODY FOR METAL BOND	1
3A1-028XP	D 80-T 6-H25.00-U 2 -X 6	ALU+COPPER BODY FOR POLYIMIDE	1
3A1-399PR	D 80-T 6-H25.00-U 2.5-X 6	PRESS ALU.BODY FOR RESIN	1
3A1-399XP	D 80-T 6-H25.00-U 2.5-X 6	ALU+COPPER BODY FOR POLYIMIDE	1
3A1-026PR	D 80-T 6-H25.00-U 3-X 6	PRESS ALU.BODY FOR RESIN	1
3A1-026XP	D 80-T 6-H25.00-U 3-X 6	ALU+COPPER BODY FOR POLYIMIDE	1
3A1-027CP	D 80-T 6-H25.00-U 4-X 6	COPPER BODY FOR POLYIMIDE	1
3A1-027PR	D 80-T 6-H25.00-U 4-X 6	PRESS ALU.BODY FOR RESIN	1
3A1-237CP	D 80-T 6-H25.00-U 5-X 6	COPPER BODY FOR POLYIMIDE	1
3A1-237PR	D 80-T 6-H25.00-U 5-X 6	PRESS ALU.BODY FOR RESIN	1
3A1-528CP	D 80-T 6-H25.00-U 5-X10	COPPER BODY FOR POLYIMIDE	1
3A1-604XP	D 80-T 6-H31.75-U 1 -X 6	ALU+COPPER BODY FOR POLYIMIDE	1



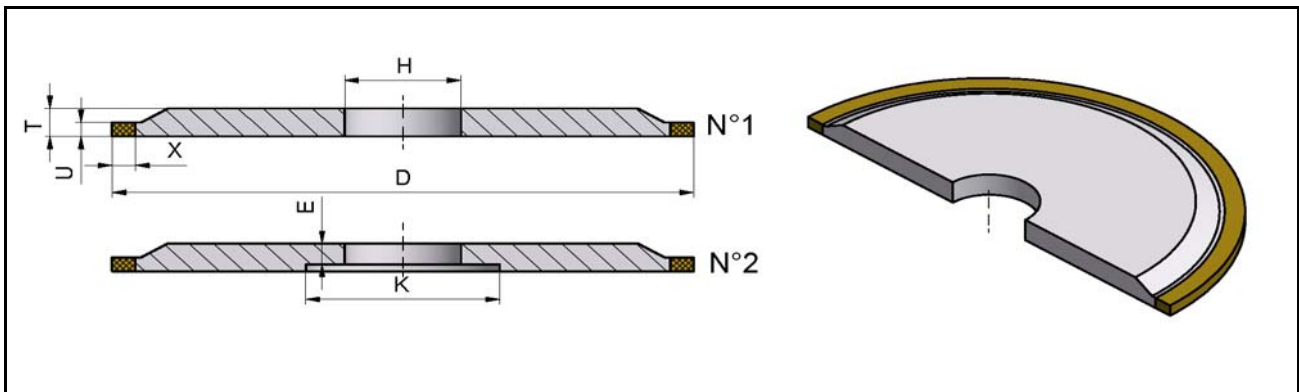
DRAWING	DIMENSIONS	BODY MATERIAL	N°
3A1-605XP	D 80-T 6-H31.75-U 1.5-X 6	ALU+COPPER BODY FOR POLYIMIDE	1
3A1-228XP	D 80-T 6-H31.75-U 2 -X 6	ALU+COPPER BODY FOR POLYIMIDE	1
3A1-228PR	D 80-T 6-H31.75-U 2-X 6	PRESS ALU.BODY FOR RESIN	1
3A1-227PR	D 80-T 6-H31.75-U 3-X 6	PRESS ALU.BODY FOR RESIN	1
3A1-227XP	D 80-T 6-H31.75-U 3 -X 6	ALU+COPPER BODY FOR POLYIMIDE	1
3A1-229PR	D 80-T 6-H31.75-U 4-X 6	PRESS ALU.BODY FOR RESIN	1
3A1-388XP	D 80-T 6-H32.00-U 2 -X 6	ALU+COPPER BODY FOR POLYIMIDE	1
3A1-388PR	D 80-T 6-H32.00-U 2-X 6	PRESS ALU.BODY FOR RESIN	1
3A1-391XP	D 80-T 6-H32.00-U 3 -X 6	ALU+COPPER BODY FOR POLYIMIDE	1
3A1-363XP	D 80-T 6-H35.00-U 1.5-X 6	ALU+COPPER BODY FOR POLYIMIDE	1
3A1-029PR	D 80-T 6-H35.00-U 2 -X 6	PRESS ALU.BODY FOR RESIN	1
3A1-029XP	D 80-T 6-H35.00-U 2 -X 6	ALU+COPPER BODY FOR POLYIMIDE	1
3A1-024PR	D 80-T 6-H35.00-U 3-X 6	PRESS ALU.BODY FOR RESIN	1
3A1-024XP	D 80-T 6-H35.00-U 3-X 6	ALU+COPPER BODY FOR POLYIMIDE	1
3A1-025CP	D 80-T 6-H35.00-U 4-X 6	COPPER BODY FOR POLYIMIDE	1
3A1-025PR	D 80-T 6-H35.00-U 4-X 6	PRESS ALU.BODY FOR RESIN	1
3A1-426XP	D 80-T 6-H40.00-U 1.5-X 6	ALU+COPPER BODY FOR POLYIMIDE	1
3A1-450CP	D 80-T 6-H40.00-U 4-X 6	COPPER BODY FOR POLYIMIDE	1
3A1-510CP	D 80-T 6-H40.00-U 4-X10	COPPER BODY FOR POLYIMIDE	1
3A1-117PR	D 80-T 8-H10.00-U 2-X 6	PRESS ALU.BODY FOR RESIN	1
3A1-263XP	D 80-T 8-H10.00-U 3.5-X 6	ALU+COPPER BODY FOR POLYIMIDE	1
3A1-541XP	D 80-T 8-H20.00-U 3-X 6	ALU+COPPER BODY FOR POLYIMIDE	1
3A1-202PR	D 80-T 8-H31.75-U 2-X 6	PRESS ALU.BODY FOR RESIN	1
3A1-202XP	D 80-T 8-H31.75-U 2-X 6	ALU+COPPER BODY FOR POLYIMIDE	1
3A1-203PR	D 80-T 8-H31.75-U 4-X 6	PRESS ALU.BODY FOR RESIN	1
3A1-203XP	D 80-T 8-H31.75-U 4-X 6	ALU+COPPER BODY FOR POLYIMIDE	1
3A1-044PR	D 80-T10-H20.00-U 5-X 6	PRESS ALU.BODY FOR RESIN	1
3A1-331PR	D100-T 3-H20.00-U 2-X 6	PRESS ALU.BODY FOR RESIN	1
3A1-189CP	D100-T 4-H20.00-U 2-X 6	COPPER BODY FOR POLYIMIDE	1
3A1-189PR	D100-T 4-H20.00-U 2-X 6	PRESS ALU.BODY FOR RESIN	1
3A1-325CP	D100-T 4-H25.00-U 2-X 6	COPPER BODY FOR POLYIMIDE	1
3A1-458CP	D100-T 4-H31.75-U 3-X 6	COPPER BODY FOR POLYIMIDE	1
3A1-476CP	D100-T 4-H40.00-U 2-X 6	COPPER BODY FOR POLYIMIDE	1
3A1-554XP	D100-T 6-H10.00-U 1 -X 6	ALU+COPPER BODY FOR POLYIMIDE	1
3A1-142PR	D100-T 6-H10.00-U 1.2-X 6	PRESS ALU.BODY FOR RESIN	1
3A1-142XP	D100-T 6-H10.00-U 1.2-X 6	ALU+COPPER BODY FOR POLYIMIDE	1
3A1-277XP	D100-T 6-H10.00-U 1.5-X 6	ALU+COPPER BODY FOR POLYIMIDE	1
3A1-001PR	D100-T 6-H10.00-U 2 -X 6	PRESS ALU.BODY FOR RESIN	1
3A1-001SM	D100-T 6-H10.00-U 2 -X 6	STEEL BODY FOR METAL BOND	1



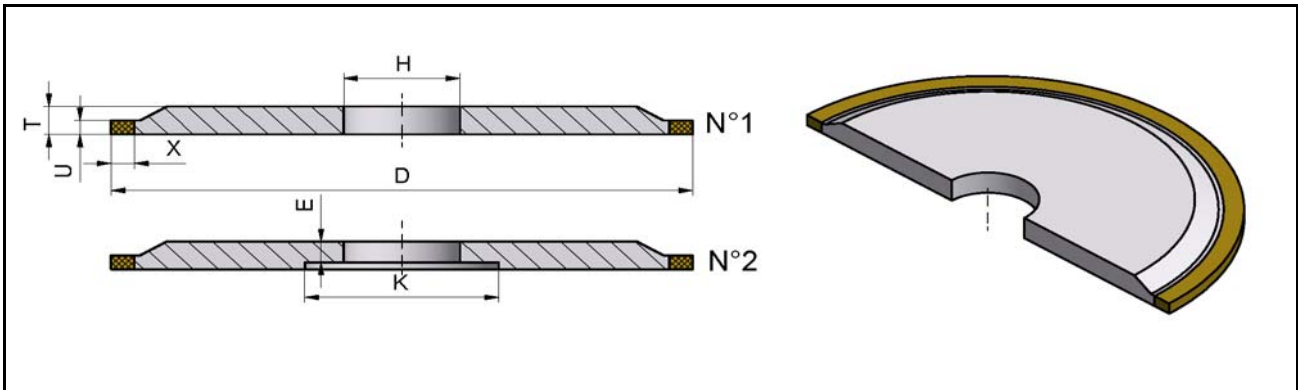
DRAWING	DIMENSIONS	BODY MATERIAL	N°
3A1-001XP	D100-T 6-H10.00-U 2 -X 6	ALU+COPPER BODY FOR POLYIMIDE	1
3A1-260XP	D100-T 6-H10.00-U 2.2 -X 6	ALU+COPPER BODY FOR POLYIMIDE	1
3A1-184PR	D100-T 6-H10.00-U 2.5-X 6	PRESS ALU.BODY FOR RESIN	1
3A1-184XP	D100-T 6-H10.00-U 2.5-X 6	ALU+COPPER BODY FOR POLYIMIDE	1
3A1-143XP	D100-T 6-H10.00-U 2.8-X 6	ALU+COPPER BODY FOR POLYIMIDE	1
3A1-003PR	D100-T 6-H10.00-U 3 -X 6	PRESS ALU.BODY FOR RESIN	1
3A1-003SM	D100-T 6-H10.00-U 3 -X 6	STEEL BODY FOR METAL BOND	1
3A1-003XP	D100-T 6-H10.00-U 3 -X 6	ALU+COPPER BODY FOR POLYIMIDE	1
3A1-483XP	D100-T 6-H10.00-U 3 -X10	ALU+COPPER BODY FOR POLYIMIDE	1
3A1-249XP	D100-T 6-H10.00-U 3.5-X 6	ALU+COPPER BODY FOR POLYIMIDE	1
3A1-571CP	D100-T 6-H10.00-U 4 -X10	COPPER BODY FOR POLYIMIDE	1
3A1-004CP	D100-T 6-H10.00-U 4-X 6	COPPER BODY FOR POLYIMIDE	1
3A1-004PR	D100-T 6-H10.00-U 4-X 6	PRESS ALU.BODY FOR RESIN	1
3A1-053CP	D100-T 6-H10.00-U 5-X 6	COPPER BODY FOR POLYIMIDE	1
3A1-053PR	D100-T 6-H10.00-U 5-X 6	PRESS ALU.BODY FOR RESIN	1
3A1-314XP	D100-T 6-H12.00-U 2 -X 6	ALU+COPPER BODY FOR POLYIMIDE	1
3A1-282XP	D100-T 6-H12.00-U 3 -X 6	ALU+COPPER BODY FOR POLYIMIDE	1
3A1-538XP	D100-T 6-H20.00-U 1 -X 6	ALU+COPPER BODY FOR POLYIMIDE	1
3A1-491SM	D100-T 6-H20.00-U 1 -X 6-S(special)	STEEL BODY FOR METAL BOND	1
3A1-346SM	D100-T 6-H20.00-U 1.5-X 6	STEEL BODY FOR METAL BOND	1
3A1-346XP	D100-T 6-H20.00-U 1.5-X 6	ALU+COPPER BODY FOR POLYIMIDE	1
3A1-492SM	D100-T 6-H20.00-U 1.5-X 6-S(special)	STEEL BODY FOR METAL BOND	1
3A1-372XP	D100-T 6-H20.00-U 1.6-X 6	ALU+COPPER BODY FOR POLYIMIDE	1
3A1-470PR	D100-T 6-H20.00-U 1.7-X 6	PRESS ALU.BODY FOR RESIN	1
3A1-002PR	D100-T 6-H20.00-U 2 -X 6	PRESS ALU.BODY FOR RESIN	1
3A1-002SM	D100-T 6-H20.00-U 2 -X 6	STEEL BODY FOR METAL BOND	1
3A1-002XP	D100-T 6-H20.00-U 2 -X 6	ALU+COPPER BODY FOR POLYIMIDE	1
3A1-592XP	D100-T 6-H20.00-U 2 -X10	ALU+COPPER BODY FOR POLYIMIDE	1
3A1-355PR	D100-T 6-H20.00-U 2.5-X 6	PRESS ALU.BODY FOR RESIN	1
3A1-355XP	D100-T 6-H20.00-U 2.5-X 6	ALU+COPPER BODY FOR POLYIMIDE	1
3A1-058PR	D100-T 6-H20.00-U 3 -X 6	PRESS ALU.BODY FOR RESIN	1
3A1-058SM	D100-T 6-H20.00-U 3 -X 6	STEEL BODY FOR METAL BOND	1
3A1-058XP	D100-T 6-H20.00-U 3 -X 6	ALU+COPPER BODY FOR POLYIMIDE	1
3A1-575XP	D100-T 6-H20.00-U 3 -X10	ALU+COPPER BODY FOR POLYIMIDE	1
3A1-356PR	D100-T 6-H20.00-U 3.5-X 6	PRESS ALU.BODY FOR RESIN	1
3A1-356XP	D100-T 6-H20.00-U 3.5-X 6	ALU+COPPER BODY FOR POLYIMIDE	1
3A1-031CP	D100-T 6-H20.00-U 4 -X 6	COPPER BODY FOR POLYIMIDE	1
3A1-031PR	D100-T 6-H20.00-U 4 -X 6	PRESS ALU.BODY FOR RESIN	1
3A1-031SM	D100-T 6-H20.00-U 4 -X 6	STEEL BODY FOR METAL BOND	1



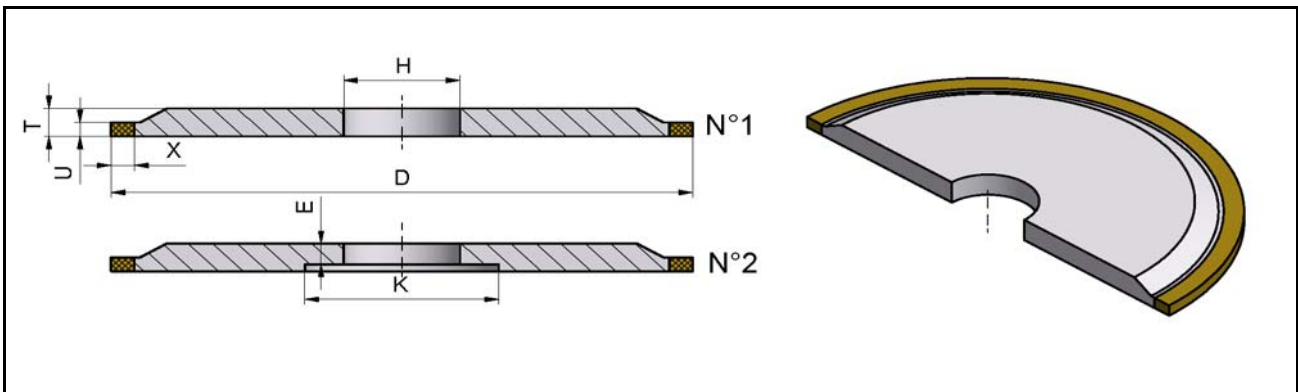
DRAWING	DIMENSIONS	BODY MATERIAL	N°
3A1-521CP	D100-T 6-H20.00-U 4 -X10	COPPER BODY FOR POLYMIDE	1
3A1-521PR	D100-T 6-H20.00-U 4 -X10	PRESS ALU.BODY FOR RESIN	1
3A1-434PR	D100-T 6-H20.00-U 4.1-X 6	PRESS ALU.BODY FOR RESIN	1
3A1-017CP	D100-T 6-H20.00-U 5-X 6	COPPER BODY FOR POLYMIDE	1
3A1-017PR	D100-T 6-H20.00-U 5-X 6	PRESS ALU.BODY FOR RESIN	1
3A1-531CP	D100-T 6-H20.00-U 5-X10	COPPER BODY FOR POLYMIDE	1
3A1-135PR	D100-T 6-H25.00-U 1 -X 6	PRESS ALU.BODY FOR RESIN	1
3A1-135SM	D100-T 6-H25.00-U 1 -X 6	STEEL BODY FOR METAL BOND	1
3A1-135XP	D100-T 6-H25.00-U 1 -X 6	ALU+COPPER BODY FOR POLYMIDE	1
3A1-542XP	D100-T 6-H25.00-U 1.2-X 6	ALU+COPPER BODY FOR POLYMIDE	1
3A1-247XP	D100-T 6-H25.00-U 1.5-X 6	ALU+COPPER BODY FOR POLYMIDE	1
3A1-568XP	D100-T 6-H25.00-U 1.6-X 6	ALU+COPPER BODY FOR POLYMIDE	1
3A1-543XP	D100-T 6-H25.00-U 1.8-X 6	ALU+COPPER BODY FOR POLYMIDE	1
3A1-050PR	D100-T 6-H25.00-U 2 -X 6	PRESS ALU.BODY FOR RESIN	1
3A1-050SM	D100-T 6-H25.00-U 2 -X 6	STEEL BODY FOR METAL BOND	1
3A1-050XP	D100-T 6-H25.00-U 2 -X 6	ALU+COPPER BODY FOR POLYMIDE	1
3A1-280XP	D100-T 6-H25.00-U 2 -X10	ALU+COPPER BODY FOR POLYMIDE	1
3A1-332PR	D100-T 6-H25.00-U 2.5-X 6	PRESS ALU.BODY FOR RESIN	1
3A1-332XP	D100-T 6-H25.00-U 2.5-X 6	ALU+COPPER BODY FOR POLYMIDE	1
3A1-063PR	D100-T 6-H25.00-U 3 -X 6	PRESS ALU.BODY FOR RESIN	1
3A1-063SM	D100-T 6-H25.00-U 3 -X 6	STEEL BODY FOR METAL BOND	1
3A1-063XP	D100-T 6-H25.00-U 3 -X 6	ALU+COPPER BODY FOR POLYMIDE	1
3A1-377PR	D100-T 6-H25.00-U 3 -X10	PRESS ALU.BODY FOR RESIN	1
3A1-377XP	D100-T 6-H25.00-U 3 -X10	ALU+COPPER BODY FOR POLYMIDE	1
3A1-236PR	D100-T 6-H25.00-U 3.5-X 6	PRESS ALU.BODY FOR RESIN	1
3A1-236XP	D100-T 6-H25.00-U 3.5-X 6	ALU+COPPER BODY FOR POLYMIDE	1
3A1-040CP	D100-T 6-H25.00-U 4 -X 6	COPPER BODY FOR POLYMIDE	1
3A1-040PR	D100-T 6-H25.00-U 4 -X 6	PRESS ALU.BODY FOR RESIN	1
3A1-439CP	D100-T 6-H25.00-U 4 -X10	COPPER BODY FOR POLYMIDE	1
3A1-439PR	D100-T 6-H25.00-U 4 -X10	PRESS ALU.BODY FOR RESIN	1
3A1-412CP	D100-T 6-H25.00-U 4.5-X 6	COPPER BODY FOR POLYMIDE	1
3A1-072CP	D100-T 6-H25.00-U 5 -X 6	COPPER BODY FOR POLYMIDE	1
3A1-072PR	D100-T 6-H25.00-U 5 -X 6	PRESS ALU.BODY FOR RESIN	1
3A1-402CP	D100-T 6-H25.00-U 5 -X10	COPPER BODY FOR POLYMIDE	1
3A1-402PR	D100-T 6-H25.00-U 5 -X10	PRESS ALU.BODY FOR RESIN	1
3A1-560PR	D100-T 6-H25.00-U 5.5-X 6	PRESS ALU.BODY FOR RESIN	1
3A1-226PR	D100-T 6-H31.75-U 1 -X 6	PRESS ALU.BODY FOR RESIN	1
3A1-226XP	D100-T 6-H31.75-U 1 -X 6	ALU+COPPER BODY FOR POLYMIDE	1
3A1-614XP	D100-T 6-H31.75-U 1.5-X 6	ALU+COPPER BODY FOR POLYMIDE	1



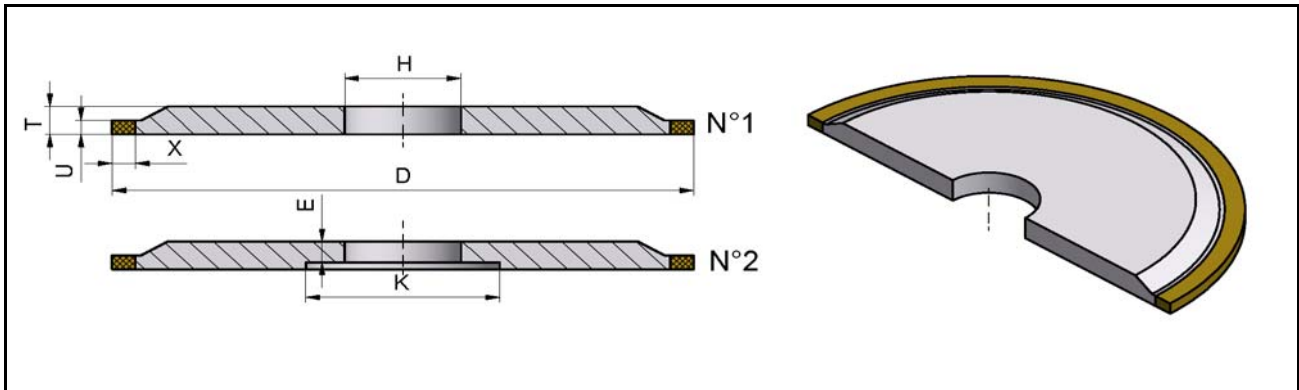
DRAWING	DIMENSIONS	BODY MATERIAL	N°
3A1-033PR	D100-T 6-H31.75-U 2 -X 6	PRESS ALU.BODY FOR RESIN	1
3A1-033XP	D100-T 6-H31.75-U 2 -X 6	ALU+COPPER BODY FOR POLYIMIDE	1
3A1-410PR	D100-T 6-H31.75-U 2.5-X 6	PRESS ALU.BODY FOR RESIN	1
3A1-410XP	D100-T 6-H31.75-U 2.5-X 6	ALU+COPPER BODY FOR POLYIMIDE	1
3A1-582XP	D100-T 6-H31.75-U 2.7-X 6	ALU+COPPER BODY FOR POLYIMIDE	1
3A1-039PR	D100-T 6-H31.75-U 3 -X 6	PRESS ALU.BODY FOR RESIN	1
3A1-039SM	D100-T 6-H31.75-U 3 -X 6	STEEL BODY FOR METAL BOND	1
3A1-039XP	D100-T 6-H31.75-U 3 -X 6	ALU+COPPER BODY FOR POLYIMIDE	1
3A1-036CP	D100-T 6-H31.75-U 4 -X 6	COPPER BODY FOR POLYIMIDE	1
3A1-036PR	D100-T 6-H31.75-U 4 -X 6	PRESS ALU.BODY FOR RESIN	1
3A1-621CP	D100-T 6-H31.75-U 4 -X10	COPPER BODY FOR POLYIMIDE	1
3A1-021CP	D100-T 6-H31.75-U 5 -X 6	COPPER BODY FOR POLYIMIDE	1
3A1-021PR	D100-T 6-H31.75-U 5 -X 6	PRESS ALU.BODY FOR RESIN	1
3A1-195PR	D100-T 6-H32.00-U 2-X 6	PRESS ALU.BODY FOR RESIN	1
3A1-195XP	D100-T 6-H32.00-U 2-X 6	ALU+COPPER BODY FOR POLYIMIDE	1
3A1-196PR	D100-T 6-H32.00-U 3-X 6	PRESS ALU.BODY FOR RESIN	1
3A1-196XP	D100-T 6-H32.00-U 3-X 6	ALU+COPPER BODY FOR POLYIMIDE	1
3A1-197CP	D100-T 6-H32.00-U 4-X 6	COPPER BODY FOR POLYIMIDE	1
3A1-197PR	D100-T 6-H32.00-U 4-X 6	PRESS ALU.BODY FOR RESIN	1
3A1-198PR	D100-T 6-H32.00-U 5-X 6	PRESS ALU.BODY FOR RESIN	1
3A1-389XP	D100-T 6-H35.00-U 1 -X 6	ALU+COPPER BODY FOR POLYIMIDE	1
3A1-266XP	D100-T 6-H35.00-U 1.5-X 6	ALU+COPPER BODY FOR POLYIMIDE	1
3A1-074PR	D100-T 6-H35.00-U 2 -X 6	PRESS ALU.BODY FOR RESIN	1
3A1-074XP	D100-T 6-H35.00-U 2 -X 6	ALU+COPPER BODY FOR POLYIMIDE	1
3A1-358XP	D100-T 6-H35.00-U 2.5-X 6	ALU+COPPER BODY FOR POLYIMIDE	1
3A1-060PR	D100-T 6-H35.00-U 3-X 6	PRESS ALU.BODY FOR RESIN	1
3A1-060XP	D100-T 6-H35.00-U 3-X 6	ALU+COPPER BODY FOR POLYIMIDE	1
3A1-059CP	D100-T 6-H35.00-U 4-X 6	COPPER BODY FOR POLYIMIDE	1
3A1-059PR	D100-T 6-H35.00-U 4-X 6	PRESS ALU.BODY FOR RESIN	1
3A1-596CP	D100-T 6-H35.00-U 4-X10	COPPER BODY FOR POLYIMIDE	1
3A1-073CP	D100-T 6-H35.00-U 5-X 6	COPPER BODY FOR POLYIMIDE	1
3A1-073PR	D100-T 6-H35.00-U 5-X 6	PRESS ALU.BODY FOR RESIN	1
3A1-073SM	D100-T 6-H35.00-U 5-X 6	STEEL BODY FOR METAL BOND	1
3A1-520CP	D100-T 6-H35.00-U 5-X10	COPPER BODY FOR POLYIMIDE	1
3A1-136PR	D100-T 6-H40.00-U 2 -X 6	PRESS ALU.BODY FOR RESIN	1
3A1-136XP	D100-T 6-H40.00-U 2 -X 6	ALU+COPPER BODY FOR POLYIMIDE	1
3A1-478PR	D100-T 6-H40.00-U 2.5-X 6	PRESS ALU.BODY FOR RESIN	1
3A1-082PR	D100-T 6-H40.00-U 3 -X 6	PRESS ALU.BODY FOR RESIN	1
3A1-082XP	D100-T 6-H40.00-U 3 -X 6	ALU+COPPER BODY FOR POLYIMIDE	1



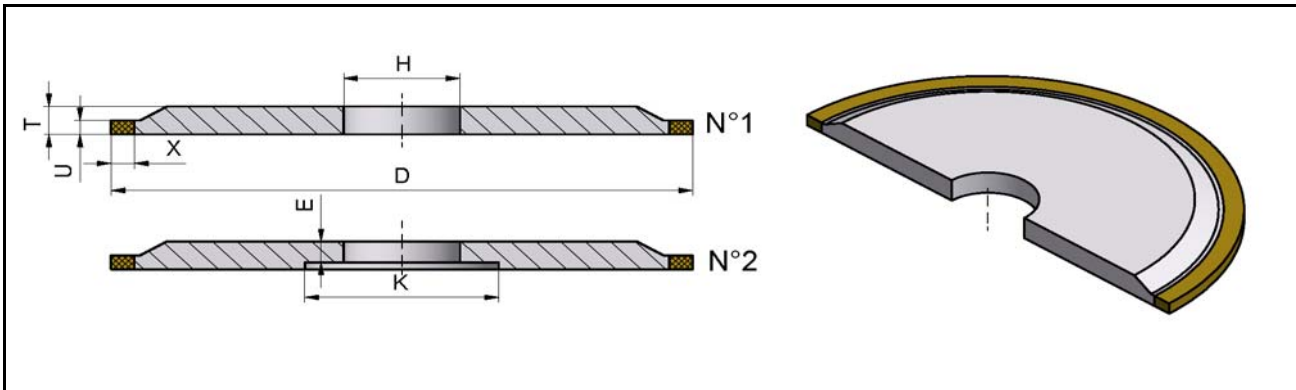
DRAWING	DIMENSIONS	BODY MATERIAL	N°
3A1-137CP	D100-T 6-H40.00-U 4 -X 6	COPPER BODY FOR POLYIMIDE	1
3A1-137PR	D100-T 6-H40.00-U 4 -X 6	PRESS ALU.BODY FOR RESIN	1
3A1-138CP	D100-T 6-H40.00-U 5 -X 6	COPPER BODY FOR POLYIMIDE	1
3A1-138PR	D100-T 6-H40.00-U 5 -X 6	PRESS ALU.BODY FOR RESIN	1
3A1-258XP	D100-T 8-H10.00-U 1 -X10	ALU+COPPER BODY FOR POLYIMIDE	1
3A1-586XP	D100-T 8-H10.00-U 1.2-X 6	ALU+COPPER BODY FOR POLYIMIDE	1
3A1-251XP	D100-T 8-H10.00-U 1.3-X10	ALU+COPPER BODY FOR POLYIMIDE	1
3A1-252XP	D100-T 8-H10.00-U 1.5-X10	ALU+COPPER BODY FOR POLYIMIDE	1
3A1-253XP	D100-T 8-H10.00-U 2 -X10	ALU+COPPER BODY FOR POLYIMIDE	1
3A1-364XP	D100-T 8-H20.00-U 1 -X10	ALU+COPPER BODY FOR POLYIMIDE	1
3A1-365XP	D100-T 8-H20.00-U 1.5-X10	ALU+COPPER BODY FOR POLYIMIDE	1
3A1-349XP	D100-T 8-H20.00-U 2 -X 6	ALU+COPPER BODY FOR POLYIMIDE	1
3A1-348XP	D100-T 8-H20.00-U 3-X 6	ALU+COPPER BODY FOR POLYIMIDE	1
3A1-472XP	D100-T 8-H20.00-U 4-X 6	ALU+COPPER BODY FOR POLYIMIDE	1
3A1-501PR	D100-T 8-H20.00-U 5-X 6	PRESS ALU.BODY FOR RESIN	1
3A1-427CP	D100-T 8-H20.00-U 6-X 6	COPPER BODY FOR POLYIMIDE	1
3A1-427PR	D100-T 8-H20.00-U 6-X 6	PRESS ALU.BODY FOR RESIN	1
3A1-503CP	D100-T 8-H20.00-U 6-X10	COPPER BODY FOR POLYIMIDE	1
3A1-185PR	D100-T 8-H25.00-U 3-X 6	PRESS ALU.BODY FOR RESIN	1
3A1-572XP	D100-T 8-H25.00-U 5-X10	ALU+COPPER BODY FOR POLYIMIDE	1
3A1-275XP	D100-T 8-H31.75-U 1 -X10	ALU+COPPER BODY FOR POLYIMIDE	1
3A1-477XP	D100-T 8-H31.75-U 2 -X6	ALU+COPPER BODY FOR POLYIMIDE	1
3A1-584XP	D100-T 8-H31.75-U 3.8-X6	ALU+COPPER BODY FOR POLYIMIDE	1
3A1-166XP	D100-T 8-H32.00-U 1.5-X 6	ALU+COPPER BODY FOR POLYIMIDE	1
3A1-367XP	D100-T 8-H32.00-U 5-X 6	ALU+COPPER BODY FOR POLYIMIDE	1
3A1-111PR	D100-T 8-H40.00-U 2-X 6	PRESS ALU.BODY FOR RESIN	1
3A1-111XP	D100-T 8-H40.00-U 2-X 6	ALU+COPPER BODY FOR POLYIMIDE	1
3A1-020PR	D100-T 8-H40.00-U 3-X 6	PRESS ALU.BODY FOR RESIN	1
3A1-020XP	D100-T 8-H40.00-U 3-X 6	ALU+COPPER BODY FOR POLYIMIDE	1
3A1-018PR	D100-T 8-H40.00-U 4-X 6	PRESS ALU.BODY FOR RESIN	1
3A1-018XP	D100-T 8-H40.00-U 4-X 6	ALU+COPPER BODY FOR POLYIMIDE	1
3A1-019PR	D100-T 8-H40.00-U 5-X 6	PRESS ALU.BODY FOR RESIN	1
3A1-019XP	D100-T 8-H40.00-U 5-X 6	ALU+COPPER BODY FOR POLYIMIDE	1
3A1-037CP	D100-T 8-H40.00-U 6-X 6	COPPER BODY FOR POLYIMIDE	1
3A1-037PR	D100-T 8-H40.00-U 6-X 6	PRESS ALU.BODY FOR RESIN	1
3A1-057CP	D100-T 8-H40.00-U 7-X 6	COPPER BODY FOR POLYIMIDE	1
3A1-057PR	D100-T 8-H40.00-U 7-X 6	PRESS ALU.BODY FOR RESIN	1
3A1-139PR	D100-T 8-H50.00-U 2-X 6	PRESS ALU.BODY FOR RESIN	1
3A1-139XP	D100-T 8-H50.00-U 2-X 6	ALU+COPPER BODY FOR POLYIMIDE	1



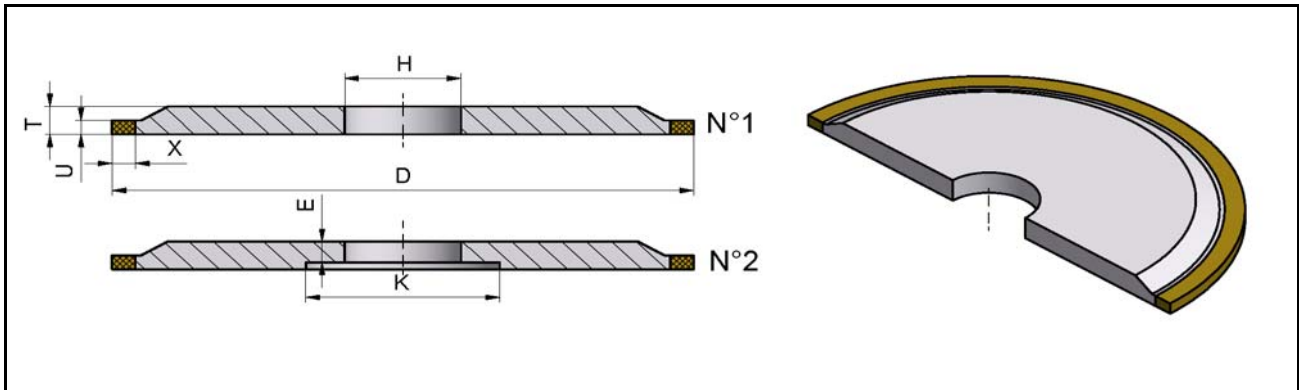
DRAWING	DIMENSIONS	BODY MATERIAL	N°
3A1-140PR	D100-T 8-H50.00-U 3-X 6	PRESS ALU.BODY FOR RESIN	1
3A1-140XP	D100-T 8-H50.00-U 3-X 6	ALU+COPPER BODY FOR POLYIMIDE	1
3A1-085PR	D100-T 8-H50.00-U 4-X 6	PRESS ALU.BODY FOR RESIN	1
3A1-085XP	D100-T 8-H50.00-U 4-X 6	ALU+COPPER BODY FOR POLYIMIDE	1
3A1-141PR	D100-T 8-H50.00-U 5-X 6	PRESS ALU.BODY FOR RESIN	1
3A1-141XP	D100-T 8-H50.00-U 5-X 6	ALU+COPPER BODY FOR POLYIMIDE	1
3A1-199CP	D100-T 8-H50.00-U 6-X 6	COPPER BODY FOR POLYIMIDE	1
3A1-199PR	D100-T 8-H50.00-U 6-X 6	PRESS ALU.BODY FOR RESIN	1
3A1-336XP	D100-T10-H10.00-U 3-X 6	ALU+COPPER BODY FOR POLYIMIDE	1
3A1-215PR	D100-T10-H20.00-U 5-X 6	PRESS ALU.BODY FOR RESIN	1
3A1-215XP	D100-T10-H20.00-U 5-X 6	ALU+COPPER BODY FOR POLYIMIDE	1
3A1-374PR	D100-T10-H25.00-U 3-X 6	PRESS ALU.BODY FOR RESIN	1
3A1-519CP	D100-T10-H25.00-U 8-X 6	COPPER BODY FOR POLYIMIDE	1
3A1-170PR	D100-T10-H31.75-U 2-X 6	PRESS ALU.BODY FOR RESIN	1
3A1-170XP	D100-T10-H31.75-U 2-X 6	ALU+COPPER BODY FOR POLYIMIDE	1
3A1-200PR	D100-T10-H31.75-U 3-X 6	PRESS ALU.BODY FOR RESIN	1
3A1-200XP	D100-T10-H31.75-U 3-X 6	ALU+COPPER BODY FOR POLYIMIDE	1
3A1-201PR	D100-T10-H31.75-U 6-X 6	PRESS ALU.BODY FOR RESIN	1
3A1-201XP	D100-T10-H31.75-U 6-X 6	ALU+COPPER BODY FOR POLYIMIDE	1
3A1-398XP	D100-T10-H38.00-U 4-X 6	ALU+COPPER BODY FOR POLYIMIDE	1
3A1-380PR	D100-T12-H20.00-U11-X 6	PRESS ALU.BODY FOR RESIN	1
3A1-420PR	D100-T20-H25.00-U 4-X 6-E 6-K40	PRESS ALU.BODY FOR RESIN	2
3A1-419PR	D100-T20-H25.00-U 6-X 6-E 6-K40	PRESS ALU.BODY FOR RESIN	2
3A1-408PR	D100-T20-H25.00-U10-X 6-E 6-K40	PRESS ALU.BODY FOR RESIN	2
3A1-540CP	D125-T 6.5-H40.00-U 4.5-X10	COPPER BODY FOR POLYIMIDE	1
3A1-112PR	D125-T 6-H10.00-U 2-X 6	PRESS ALU.BODY FOR RESIN	1
3A1-112XP	D125-T 6-H10.00-U 2-X 6	ALU+COPPER BODY FOR POLYIMIDE	1
3A1-030PR	D125-T 6-H10.00-U 3-X 6	PRESS ALU.BODY FOR RESIN	1
3A1-030XP	D125-T 6-H10.00-U 3-X 6	ALU+COPPER BODY FOR POLYIMIDE	1
3A1-114CP	D125-T 6-H10.00-U 4-X 6	COPPER BODY FOR POLYIMIDE	1
3A1-114PR	D125-T 6-H10.00-U 4-X 6	PRESS ALU.BODY FOR RESIN	1
3A1-115CP	D125-T 6-H10.00-U 5-X 6	COPPER BODY FOR POLYIMIDE	1
3A1-115PR	D125-T 6-H10.00-U 5-X 6	PRESS ALU.BODY FOR RESIN	1
3A1-563PR	D125-T 6-H12.00-U 2-X 6	PRESS ALU.BODY FOR RESIN	1
3A1-281XP	D125-T 6-H12.00-U 3-X 6	ALU+COPPER BODY FOR POLYIMIDE	1
3A1-164XP	D125-T 6-H20.00-U 0.6-X 6	ALU+COPPER BODY FOR POLYIMIDE	1
3A1-261XP	D125-T 6-H20.00-U 0.8-X 6	ALU+COPPER BODY FOR POLYIMIDE	1
3A1-585XP	D125-T 6-H20.00-U 1 -X 6	ALU+COPPER BODY FOR POLYIMIDE	1
3A1-362SM	D125-T 6-H20.00-U 1.5-X 6	STEEL BODY FOR METAL BOND	1



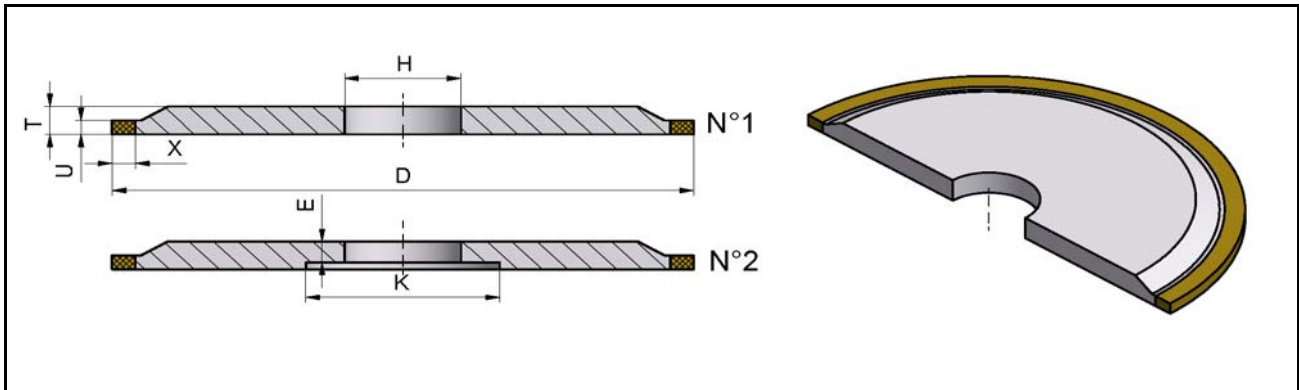
DRAWING	DIMENSIONS	BODY MATERIAL	N°
3A1-362XP	D125-T 6-H20.00-U 1.5-X 6	ALU+COPPER BODY FOR POLYIMIDE	1
3A1-144PR	D125-T 6-H20.00-U 2 -X 6	PRESS ALU.BODY FOR RESIN	1
3A1-144SM	D125-T 6-H20.00-U 2 -X 6	STEEL BODY FOR METAL BOND	1
3A1-144XP	D125-T 6-H20.00-U 2 -X 6	ALU+COPPER BODY FOR POLYIMIDE	1
3A1-574XP	D125-T 6-H20.00-U 2 -X10	ALU+COPPER BODY FOR POLYIMIDE	1
3A1-481XP	D125-T 6-H20.00-U 2.5-X 6	ALU+COPPER BODY FOR POLYIMIDE	1
3A1-052PR	D125-T 6-H20.00-U 3 -X 6	PRESS ALU.BODY FOR RESIN	1
3A1-052XP	D125-T 6-H20.00-U 3 -X 6	ALU+COPPER BODY FOR POLYIMIDE	1
3A1-449PR	D125-T 6-H20.00-U 3 -X10	PRESS ALU.BODY FOR RESIN	1
3A1-145CP	D125-T 6-H20.00-U 4 -X 6	COPPER BODY FOR POLYIMIDE	1
3A1-145PR	D125-T 6-H20.00-U 4 -X 6	PRESS ALU.BODY FOR RESIN	1
3A1-522CP	D125-T 6-H20.00-U 4-X10	COPPER BODY FOR POLYIMIDE	1
3A1-522PR	D125-T 6-H20.00-U 4-X10	PRESS ALU.BODY FOR RESIN	1
3A1-122PR	D125-T 6-H20.00-U 5 -X 6	PRESS ALU.BODY FOR RESIN	1
3A1-122CP	D125-T 6-H20.00-U 5 -X 6	COPPER BODY FOR POLYIMIDE	1
3A1-556CP	D125-T 6-H20.00-U 5 -X10	COPPER BODY FOR POLYIMIDE	1
3A1-342XP	D125-T 6-H25.00-U 0.9-X 6	ALU+COPPER BODY FOR POLYIMIDE	1
3A1-108PR	D125-T 6-H25.00-U 2-X 6	PRESS ALU.BODY FOR RESIN	1
3A1-108XP	D125-T 6-H25.00-U 2-X 6	ALU+COPPER BODY FOR POLYIMIDE	1
3A1-484XP	D125-T 6-H25.00-U 2-X10	ALU+COPPER BODY FOR POLYIMIDE	1
3A1-083PR	D125-T 6-H25.00-U 3-X 6	PRESS ALU.BODY FOR RESIN	1
3A1-083XP	D125-T 6-H25.00-U 3-X 6	ALU+COPPER BODY FOR POLYIMIDE	1
3A1-378PR	D125-T 6-H25.00-U 3-X10	PRESS ALU.BODY FOR RESIN	1
3A1-378SM	D125-T 6-H25.00-U 3-X10	STEEL BODY FOR METAL BOND	1
3A1-378XP	D125-T 6-H25.00-U 3-X10	ALU+COPPER BODY FOR POLYIMIDE	1
3A1-109CP	D125-T 6-H25.00-U 4-X 6	COPPER BODY FOR POLYIMIDE	1
3A1-109PR	D125-T 6-H25.00-U 4-X 6	PRESS ALU.BODY FOR RESIN	1
3A1-109SM	D125-T 6-H25.00-U 4-X 6	STEEL BODY FOR METAL BOND	1
3A1-110CP	D125-T 6-H25.00-U 5-X 6	COPPER BODY FOR POLYIMIDE	1
3A1-110PR	D125-T 6-H25.00-U 5-X 6	PRESS ALU.BODY FOR RESIN	1
3A1-557CP	D125-T 6-H25.00-U 5-X10	COPPER BODY FOR POLYIMIDE	1
3A1-608XP	D125-T 6-H31.75-U 1 -X 6	ALU+COPPER BODY FOR POLYIMIDE	1
3A1-607XP	D125-T 6-H31.75-U 1.5-X 6	ALU+COPPER BODY FOR POLYIMIDE	1
3A1-178PR	D125-T 6-H31.75-U 2 -X 6	PRESS ALU.BODY FOR RESIN	1
3A1-178XP	D125-T 6-H31.75-U 2 -X 6	ALU+COPPER BODY FOR POLYIMIDE	1
3A1-606XP	D125-T 6-H31.75-U 2.5-X 6	ALU+COPPER BODY FOR POLYIMIDE	1
3A1-179PR	D125-T 6-H31.75-U 3 -X 6	PRESS ALU.BODY FOR RESIN	1
3A1-179SM	D125-T 6-H31.75-U 3 -X 6	STEEL BODY FOR METAL BOND	1
3A1-179XP	D125-T 6-H31.75-U 3 -X 6	ALU+COPPER BODY FOR POLYIMIDE	1



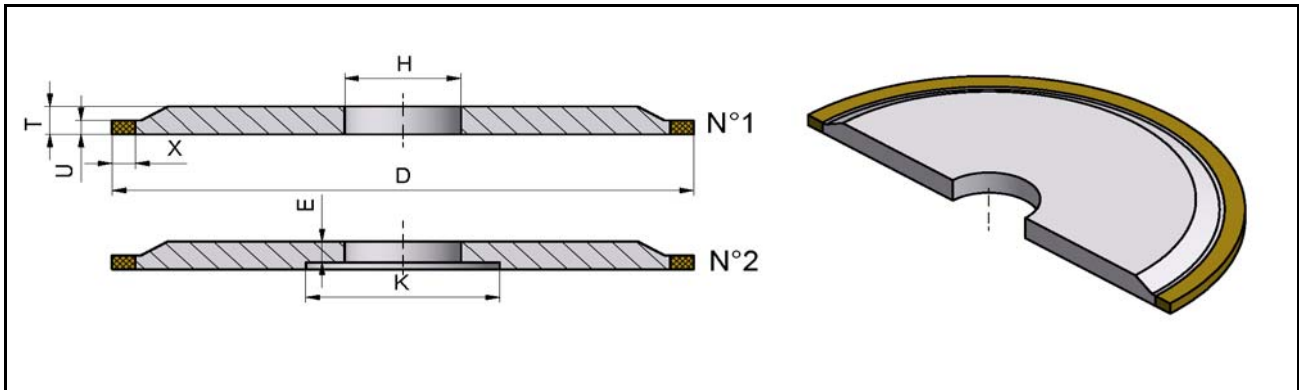
DRAWING	DIMENSIONS	BODY MATERIAL	N°
3A1-180CP	D125-T 6-H31.75-U 4-X 6	COPPER BODY FOR POLYMIDE	1
3A1-180PR	D125-T 6-H31.75-U 4-X 6	PRESS ALU.BODY FOR RESIN	1
3A1-181PR	D125-T 6-H31.75-U 5-X 6	PRESS ALU.BODY FOR RESIN	1
3A1-490XP	D125-T 6-H32.00-U 1 -X 6	ALU+COPPER BODY FOR POLYMIDE	1
3A1-153PR	D125-T 6-H32.00-U 2 -X 6	PRESS ALU.BODY FOR RESIN	1
3A1-153XP	D125-T 6-H32.00-U 2 -X 6	ALU+COPPER BODY FOR POLYMIDE	1
3A1-272XP	D125-T 6-H32.00-U 2.5-X 6	ALU+COPPER BODY FOR POLYMIDE	1
3A1-154PR	D125-T 6-H32.00-U 3-X 6	PRESS ALU.BODY FOR RESIN	1
3A1-154XP	D125-T 6-H32.00-U 3-X 6	ALU+COPPER BODY FOR POLYMIDE	1
3A1-566XP	D125-T 6-H32.00-U 3-X10	ALU+COPPER BODY FOR POLYMIDE	1
3A1-155CP	D125-T 6-H32.00-U 4-X 6	COPPER BODY FOR POLYMIDE	1
3A1-155PR	D125-T 6-H32.00-U 4-X 6	PRESS ALU.BODY FOR RESIN	1
3A1-156CP	D125-T 6-H32.00-U 5-X 6	COPPER BODY FOR POLYMIDE	1
3A1-156PR	D125-T 6-H32.00-U 5-X 6	PRESS ALU.BODY FOR RESIN	1
3A1-545XP	D125-T 6-H35.00-U 1 -X 6	ALU+COPPER BODY FOR POLYMIDE	1
3A1-113PR	D125-T 6-H35.00-U 2 -X 6	PRESS ALU.BODY FOR RESIN	1
3A1-113XP	D125-T 6-H35.00-U 2 -X 6	ALU+COPPER BODY FOR POLYMIDE	1
3A1-379XP	D125-T 6-H35.00-U 2.5-X 6	ALU+COPPER BODY FOR POLYMIDE	1
3A1-055PR	D125-T 6-H35.00-U 3-X 6	PRESS ALU.BODY FOR RESIN	1
3A1-055XP	D125-T 6-H35.00-U 3-X 6	ALU+COPPER BODY FOR POLYMIDE	1
3A1-615XP	D125-T 6-H35.00-U 3-X10	ALU+COPPER BODY FOR POLYMIDE	1
3A1-077CP	D125-T 6-H35.00-U 4-X 6	COPPER BODY FOR POLYMIDE	1
3A1-077PR	D125-T 6-H35.00-U 4-X 6	PRESS ALU.BODY FOR RESIN	1
3A1-078CP	D125-T 6-H35.00-U 5-X 6	COPPER BODY FOR POLYMIDE	1
3A1-078PR	D125-T 6-H35.00-U 5-X 6	PRESS ALU.BODY FOR RESIN	1
3A1-400XP	D125-T 6-H40.00-U 1.5-X 6	ALU+COPPER BODY FOR POLYMIDE	1
3A1-401XP	D125-T 6-H40.00-U 1-X 6	ALU+COPPER BODY FOR POLYMIDE	1
3A1-217PR	D125-T 6-H40.00-U 2 -X 6	PRESS ALU.BODY FOR RESIN	1
3A1-217XP	D125-T 6-H40.00-U 2 -X 6	ALU+COPPER BODY FOR POLYMIDE	1
3A1-080PR	D125-T 6-H40.00-U 3 -X 6	PRESS ALU.BODY FOR RESIN	1
3A1-080XP	D125-T 6-H40.00-U 3 -X 6	ALU+COPPER BODY FOR POLYMIDE	1
3A1-193CP	D125-T 6-H40.00-U 4-X 6	COPPER BODY FOR POLYMIDE	1
3A1-193PR	D125-T 6-H40.00-U 4-X 6	PRESS ALU.BODY FOR RESIN	1
3A1-516CP	D125-T 6-H40.00-U 4-X10	COPPER BODY FOR POLYMIDE	1
3A1-125CP	D125-T 6-H40.00-U 5-X 6	COPPER BODY FOR POLYMIDE	1
3A1-125PR	D125-T 6-H40.00-U 5-X 6	PRESS ALU.BODY FOR RESIN	1
3A1-539CP	D125-T 6-H40.00-U 5-X10	COPPER BODY FOR POLYMIDE	1
3A1-386XP	D125-T 6-H50.00-U 1.5-X 6	ALU+COPPER BODY FOR POLYMIDE	1
3A1-384PR	D125-T 6-H50.00-U 2 -X 6	PRESS ALU.BODY FOR RESIN	1



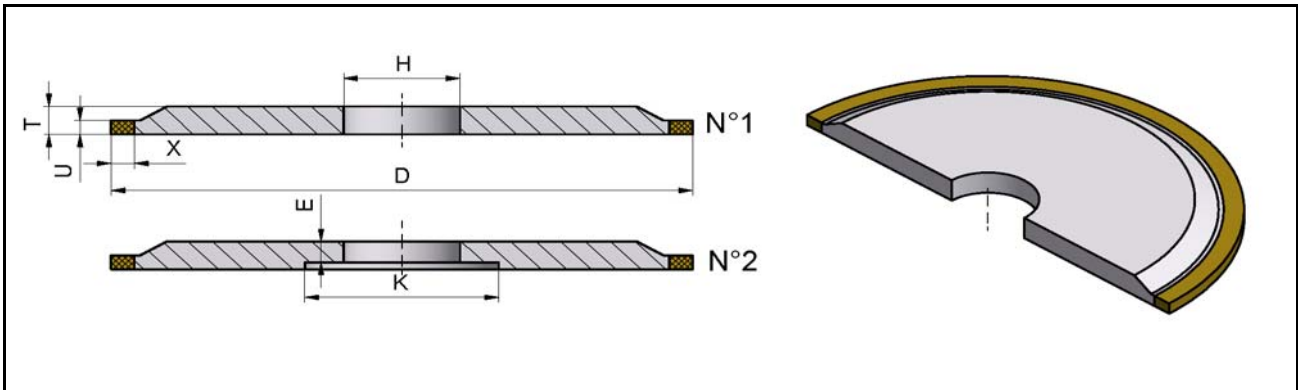
DRAWING	DIMENSIONS	BODY MATERIAL	N°
3A1-384XP	D125-T 6-H50.00-U 2 -X 6	ALU+COPPER BODY FOR POLYMIDE	1
3A1-385PR	D125-T 6-H50.00-U 3 -X 6	PRESS ALU.BODY FOR RESIN	1
3A1-385XP	D125-T 6-H50.00-U 3 -X 6	ALU+COPPER BODY FOR POLYMIDE	1
3A1-150PR	D125-T 6-H55.00-U 2-X 6	PRESS ALU.BODY FOR RESIN	1
3A1-165PR	D125-T 8-H10.00-U 3-X 6	PRESS ALU.BODY FOR RESIN	1
3A1-191PR	D125-T 8-H20.00-U 2 -X 6	PRESS ALU.BODY FOR RESIN	1
3A1-191XP	D125-T 8-H20.00-U 2 -X 6	ALU+COPPER BODY FOR POLYMIDE	1
3A1-347XP	D125-T 8-H20.00-U 2.5-X 6	ALU+COPPER BODY FOR POLYMIDE	1
3A1-452XP	D125-T 8-H20.00-U 2.5-X10	ALU+COPPER BODY FOR POLYMIDE	1
3A1-087PR	D125-T 8-H20.00-U 3 -X 6	PRESS ALU.BODY FOR RESIN	1
3A1-087XP	D125-T 8-H20.00-U 3 -X 6	ALU+COPPER BODY FOR POLYMIDE	1
3A1-513SM	D125-T 8-H20.00-U 3-X10	STEEL BODY FOR METAL BOND	1
3A1-088PR	D125-T 8-H20.00-U 4 -X 6	PRESS ALU.BODY FOR RESIN	1
3A1-088XP	D125-T 8-H20.00-U 4 -X 6	ALU+COPPER BODY FOR POLYMIDE	1
3A1-591XP	D125-T 8-H20.00-U 4 -X10	ALU+COPPER BODY FOR POLYMIDE	1
3A1-555XP	D125-T 8-H20.00-U 4.4-X 6	ALU+COPPER BODY FOR POLYMIDE	1
3A1-089PR	D125-T 8-H20.00-U 5 -X 6	PRESS ALU.BODY FOR RESIN	1
3A1-089XP	D125-T 8-H20.00-U 5 -X 6	ALU+COPPER BODY FOR POLYMIDE	1
3A1-090PR	D125-T 8-H20.00-U 6 -X 6	PRESS ALU.BODY FOR RESIN	1
3A1-440XP	D125-T 8-H25.00-U 3 -X 6	ALU+COPPER BODY FOR POLYMIDE	1
3A1-536XP	D125-T 8-H25.00-U 4 -X 6	ALU+COPPER BODY FOR POLYMIDE	1
3A1-310PR	D125-T 8-H31.75-U 2-X 6	PRESS ALU.BODY FOR RESIN	1
3A1-310XP	D125-T 8-H31.75-U 2-X 6	ALU+COPPER BODY FOR POLYMIDE	1
3A1-302PR	D125-T 8-H31.75-U 3-X 6	PRESS ALU.BODY FOR RESIN	1
3A1-302XP	D125-T 8-H31.75-U 3-X 6	ALU+COPPER BODY FOR POLYMIDE	1
3A1-360PR	D125-T 8-H31.75-U 4-X 6	PRESS ALU.BODY FOR RESIN	1
3A1-360XP	D125-T 8-H31.75-U 4-X 6	ALU+COPPER BODY FOR POLYMIDE	1
3A1-361PR	D125-T 8-H31.75-U 5-X 6	PRESS ALU.BODY FOR RESIN	1
3A1-361XP	D125-T 8-H31.75-U 5-X 6	ALU+COPPER BODY FOR POLYMIDE	1
3A1-313CP	D125-T 8-H31.75-U 6-X 6	COPPER BODY FOR POLYMIDE	1
3A1-313PR	D125-T 8-H31.75-U 6-X 6	PRESS ALU.BODY FOR RESIN	1
3A1-552CP	D125-T 8-H31.75-U 7-X 6	COPPER BODY FOR POLYMIDE	1
3A1-240PR	D125-T 8-H32.00-U 3-X 6	PRESS ALU.BODY FOR RESIN	1
3A1-240XP	D125-T 8-H32.00-U 3-X 6	ALU+COPPER BODY FOR POLYMIDE	1
3A1-370CP	D125-T 8-H32.00-U 7-X 6	COPPER BODY FOR POLYMIDE	1
3A1-370PR	D125-T 8-H32.00-U 7-X 6	PRESS ALU.BODY FOR RESIN	1
3A1-265CP	D125-T 8-H35.00-U 6-X 6	COPPER BODY FOR POLYMIDE	1
3A1-441XP	D125-T 8-H40.00-U 2-X 6	ALU+COPPER BODY FOR POLYMIDE	1
3A1-071PR	D125-T 8-H40.00-U 3 -X 6	PRESS ALU.BODY FOR RESIN	1



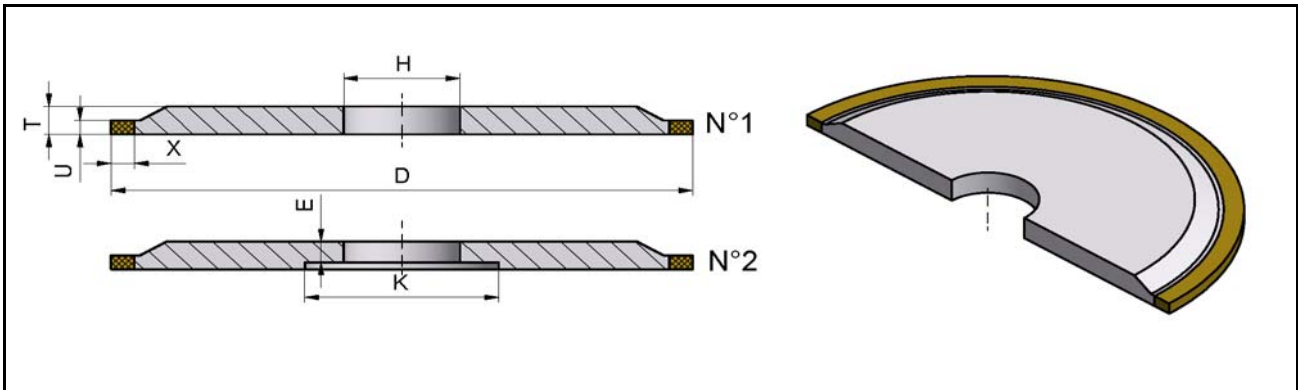
DRAWING	DIMENSIONS	BODY MATERIAL	N°
3A1-071XP	D125-T 8-H40.00-U 3 -X 6	ALU+COPPER BODY FOR POLYIMIDE	1
3A1-593XP	D125-T 8-H40.00-U 4.5-X10	ALU+COPPER BODY FOR POLYIMIDE	1
3A1-210PR	D125-T 8-H40.00-U 5 -X 6	PRESS ALU.BODY FOR RESIN	1
3A1-035CP	D125-T 8-H40.00-U 6-X 6	COPPER BODY FOR POLYIMIDE	1
3A1-035PR	D125-T 8-H40.00-U 6-X 6	PRESS ALU.BODY FOR RESIN	1
3A1-421XP	D125-T 8-H50.00-U 0.8-X 6	ALU+COPPER BODY FOR POLYIMIDE	1
3A1-423XP	D125-T 8-H50.00-U 1.5-X 6	ALU+COPPER BODY FOR POLYIMIDE	1
3A1-132PR	D125-T 8-H50.00-U 2 -X 6	PRESS ALU.BODY FOR RESIN	1
3A1-132XP	D125-T 8-H50.00-U 2 -X 6	ALU+COPPER BODY FOR POLYIMIDE	1
3A1-119PR	D125-T 8-H50.00-U 3 -X 6	PRESS ALU.BODY FOR RESIN	1
3A1-119XP	D125-T 8-H50.00-U 3 -X 6	ALU+COPPER BODY FOR POLYIMIDE	1
3A1-130PR	D125-T 8-H50.00-U 4 -X 6	PRESS ALU.BODY FOR RESIN	1
3A1-130XP	D125-T 8-H50.00-U 4 -X 6	ALU+COPPER BODY FOR POLYIMIDE	1
3A1-131PR	D125-T 8-H50.00-U 5 -X 6	PRESS ALU.BODY FOR RESIN	1
3A1-131XP	D125-T 8-H50.00-U 5 -X 6	ALU+COPPER BODY FOR POLYIMIDE	1
3A1-118CP	D125-T 8-H50.00-U 6 -X 6	COPPER BODY FOR POLYIMIDE	1
3A1-118PR	D125-T 8-H50.00-U 6 -X 6	PRESS ALU.BODY FOR RESIN	1
3A1-359PR	D125-T 9-H20.00-U 8-X10	PRESS ALU.BODY FOR RESIN	1
3A1-005PR	D125-T 9-H31.75-U 2-X 6	PRESS ALU.BODY FOR RESIN	1
3A1-006PR	D125-T 9-H31.75-U 3-X 6	PRESS ALU.BODY FOR RESIN	1
3A1-171PR	D125-T 9-H31.75-U 4-X 6	PRESS ALU.BODY FOR RESIN	1
3A1-007PR	D125-T 9-H31.75-U 4-X10	PRESS ALU.BODY FOR RESIN	1
3A1-172PR	D125-T 9-H31.75-U 5-X 6	PRESS ALU.BODY FOR RESIN	1
3A1-008PR	D125-T 9-H31.75-U 5-X10	PRESS ALU.BODY FOR RESIN	1
3A1-173PR	D125-T 9-H31.75-U 6-X 6	PRESS ALU.BODY FOR RESIN	1
3A1-009PR	D125-T 9-H31.75-U 6-X10	PRESS ALU.BODY FOR RESIN	1
3A1-174PR	D125-T 9-H31.75-U 7-X 6	PRESS ALU.BODY FOR RESIN	1
3A1-010PR	D125-T 9-H31.75-U 7-X10	PRESS ALU.BODY FOR RESIN	1
3A1-175PR	D125-T 9-H31.75-U 8-X 6	PRESS ALU.BODY FOR RESIN	1
3A1-011PR	D125-T 9-H31.75-U 8-X10	PRESS ALU.BODY FOR RESIN	1
3A1-578XP	D125-T10-H10.00-U 1.6-X 6	ALU+COPPER BODY FOR POLYIMIDE	1
3A1-067PR	D125-T10-H10.00-U 2-X 6	PRESS ALU.BODY FOR RESIN	1
3A1-067XP	D125-T10-H10.00-U 2-X 6	ALU+COPPER BODY FOR POLYIMIDE	1
3A1-068PR	D125-T10-H10.00-U 3-X 6	PRESS ALU.BODY FOR RESIN	1
3A1-068XP	D125-T10-H10.00-U 3-X 6	ALU+COPPER BODY FOR POLYIMIDE	1
3A1-047PR	D125-T10-H10.00-U 4-X 6	PRESS ALU.BODY FOR RESIN	1
3A1-069PR	D125-T10-H10.00-U 5-X 6	PRESS ALU.BODY FOR RESIN	1
3A1-163PR	D125-T10-H10.00-U 6 -X 6	PRESS ALU.BODY FOR RESIN	1
3A1-163XP	D125-T10-H10.00-U 6 -X 6	ALU+COPPER BODY FOR POLYIMIDE	1



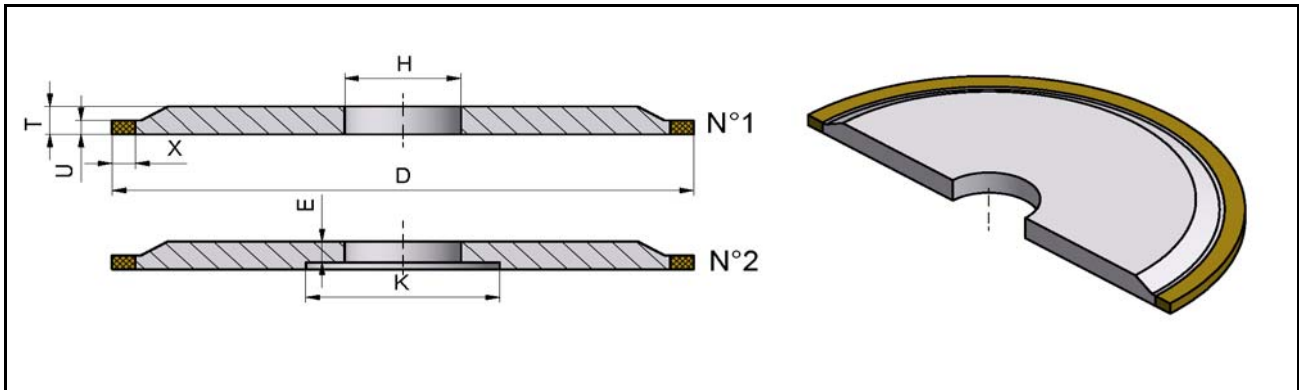
DRAWING	DIMENSIONS	BODY MATERIAL	N°
3A1-259PR	D125-T10-H10.00-U 6.5-X 6	PRESS ALU.BODY FOR RESIN	1
3A1-327PR	D125-T10-H20.00-U 5-X 6	PRESS ALU.BODY FOR RESIN	1
3A1-327XP	D125-T10-H20.00-U 5-X 6	ALU+COPPER BODY FOR POLYIMIDE	1
3A1-328XP	D125-T10-H20.00-U 6-X 6	ALU+COPPER BODY FOR POLYIMIDE	1
3A1-329CP	D125-T10-H20.00-U 8-X 6	COPPER BODY FOR POLYIMIDE	1
3A1-375PR	D125-T10-H25.00-U 3-X 6	PRESS ALU.BODY FOR RESIN	1
3A1-559PR	D125-T10-H31.75-U 1-X 6	PRESS ALU.BODY FOR RESIN	1
3A1-168PR	D125-T10-H31.75-U 2-X 6	PRESS ALU.BODY FOR RESIN	1
3A1-168XP	D125-T10-H31.75-U 2-X 6	ALU+COPPER BODY FOR POLYIMIDE	1
3A1-151PR	D125-T10-H31.75-U 6-X 6	PRESS ALU.BODY FOR RESIN	1
3A1-436XP	D125-T10-H40.00-U 2-X 6	ALU+COPPER BODY FOR POLYIMIDE	1
3A1-284XP	D125-T10-H40.00-U 3-X 6	ALU+COPPER BODY FOR POLYIMIDE	1
3A1-285XP	D125-T10-H40.00-U 4-X 6	ALU+COPPER BODY FOR POLYIMIDE	1
3A1-286XP	D125-T10-H40.00-U 5-X 6	ALU+COPPER BODY FOR POLYIMIDE	1
3A1-287XP	D125-T10-H40.00-U 6-X 6	ALU+COPPER BODY FOR POLYIMIDE	1
3A1-288CP	D125-T10-H40.00-U 8-X 6	COPPER BODY FOR POLYIMIDE	1
3A1-468XP	D125-T12-H30.00-U 1.2-X 6	ALU+COPPER BODY FOR POLYIMIDE	1
3A1-323PR	D125-T15-H20.00-U 4-X 6	PRESS ALU.BODY FOR RESIN	1
3A1-323XP	D125-T15-H20.00-U 4-X 6	ALU+COPPER BODY FOR POLYIMIDE	1
3A1-404XP	D125-T15-H40.00-U 4-X10	ALU+COPPER BODY FOR POLYIMIDE	1
3A1-502PR	D125-T15-H40.00-U 6-X 6	PRESS ALU.BODY FOR RESIN	1
3A1-405XP	D125-T15-H40.00-U 6-X10	ALU+COPPER BODY FOR POLYIMIDE	1
3A1-120PR	D125-T15-H40.00-U 8-X 6	PRESS ALU.BODY FOR RESIN	1
3A1-334PR	D125-T15-H40.00-U10-X 6	PRESS ALU.BODY FOR RESIN	1
3A1-334XP	D125-T15-H40.00-U10-X 6	ALU+COPPER BODY FOR POLYIMIDE	1
3A1-124PR	D125-T15-H40.00-U12-X 6	PRESS ALU.BODY FOR RESIN	1
3A1-533PR	D125-T16-H10.00-U 3-X 6-E 6-K 33	PRESS ALU.BODY FOR RESIN	2
3A1-533XP	D125-T16-H10.00-U 3-X 6-E 6-K 33	ALU+COPPER BODY FOR POLYIMIDE	2
3A1-456XP	D125-T20-H31.75-U 0.9-X 6-E12-K62	ALU+COPPER BODY FOR POLYIMIDE	2
3A1-297XP	D125-T20-H31.75-U 4.4-X 6-E12-K62	ALU+COPPER BODY FOR POLYIMIDE	2
3A1-443CP	D140-T 6-H25.00-U 4-X 6	COPPER BODY FOR POLYIMIDE	1
3A1-429CP	D140-T 6-H31.75-U 4-X 6	COPPER BODY FOR POLYIMIDE	1
3A1-309CP	D140-T 6-H35.00-U 4-X 6	COPPER BODY FOR POLYIMIDE	1
3A1-581XP	D140-T 6-H40.00-U 2 -X 6	ALU+COPPER BODY FOR POLYIMIDE	1
3A1-447XP	D140-T 8-H20.00-U 2 -X 6	ALU+COPPER BODY FOR POLYIMIDE	1
3A1-460XP	D140-T 8-H20.00-U 3 -X 6	ALU+COPPER BODY FOR POLYIMIDE	1
3A1-463XP	D140-T 8-H20.00-U 4 -X 6	ALU+COPPER BODY FOR POLYIMIDE	1
3A1-442CP	D140-T 8-H50.00-U 6-X 6	COPPER BODY FOR POLYIMIDE	1
3A1-146PR	D140-T15-H20.00-U 2 -X 6	PRESS ALU.BODY FOR RESIN	1



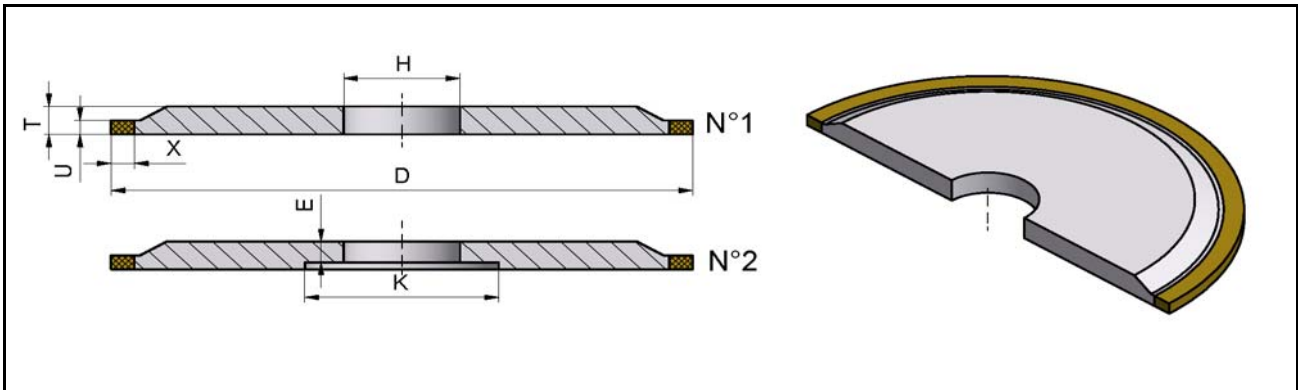
DRAWING	DIMENSIONS	BODY MATERIAL	N°
3A1-146XP	D140-T15-H20.00-U 2 -X 6	ALU+COPPER BODY FOR POLYIMIDE	1
3A1-147PR	D140-T15-H20.00-U 3 -X 6	PRESS ALU.BODY FOR RESIN	1
3A1-147XP	D140-T15-H20.00-U 3 -X 6	ALU+COPPER BODY FOR POLYIMIDE	1
3A1-148PR	D140-T15-H20.00-U 4 -X 6	PRESS ALU.BODY FOR RESIN	1
3A1-148XP	D140-T15-H20.00-U 4 -X 6	ALU+COPPER BODY FOR POLYIMIDE	1
3A1-371XP	D140-T15-H20.00-U 5-X 6	ALU+COPPER BODY FOR POLYIMIDE	1
3A1-511PR	D140-T15-H31.75-U 3 -X 6	PRESS ALU.BODY FOR RESIN	1
3A1-511XP	D140-T15-H31.75-U 3 -X 6	ALU+COPPER BODY FOR POLYIMIDE	1
3A1-086PR	D140-T15-H40.00-U 1-X 6	PRESS ALU.BODY FOR RESIN	1
3A1-049PR	D140-T15-H40.00-U 2-X 6	PRESS ALU.BODY FOR RESIN	1
3A1-049XP	D140-T15-H40.00-U 2-X 6	ALU+COPPER BODY FOR POLYIMIDE	1
3A1-066PR	D140-T15-H40.00-U 3 -X 6	PRESS ALU.BODY FOR RESIN	1
3A1-066XP	D140-T15-H40.00-U 3 -X 6	ALU+COPPER BODY FOR POLYIMIDE	1
3A1-211PR	D140-T15-H40.00-U 3.5-X 6	PRESS ALU.BODY FOR RESIN	1
3A1-211XP	D140-T15-H40.00-U 3.5-X 6	ALU+COPPER BODY FOR POLYIMIDE	1
3A1-043PR	D140-T15-H40.00-U 4-X 6	PRESS ALU.BODY FOR RESIN	1
3A1-043XP	D140-T15-H40.00-U 4-X 6	ALU+COPPER BODY FOR POLYIMIDE	1
3A1-319XP	D140-T15-H40.00-U 4-X10	ALU+COPPER BODY FOR POLYIMIDE	1
3A1-233PR	D140-T15-H40.00-U 5-X 6	PRESS ALU.BODY FOR RESIN	1
3A1-233XP	D140-T15-H40.00-U 5-X 6	ALU+COPPER BODY FOR POLYIMIDE	1
3A1-320XP	D140-T15-H40.00-U 5-X10	ALU+COPPER BODY FOR POLYIMIDE	1
3A1-248PR	D140-T15-H40.00-U 6-X 6	PRESS ALU.BODY FOR RESIN	1
3A1-248XP	D140-T15-H40.00-U 6-X 6	ALU+COPPER BODY FOR POLYIMIDE	1
3A1-321XP	D140-T15-H40.00-U 6-X10	ALU+COPPER BODY FOR POLYIMIDE	1
3A1-357XP	D140-T15-H40.00-U 9-X 6	ALU+COPPER BODY FOR POLYIMIDE	1
3A1-216PR	D140-T15-H40.00-U10-X 6	PRESS ALU.BODY FOR RESIN	1
3A1-162PR	D140-T15-H40.00-U12-X 6	PRESS ALU.BODY FOR RESIN	1
3A1-061CP	D150-T 6-H31.75-U 5-X 6	COPPER BODY FOR POLYIMIDE	1
3A1-134PR	D150-T 6-H32.00-U 4-X 6	PRESS ALU.BODY FOR RESIN	1
3A1-051PR	D150-T 6-H40.00-U 3-X 6	PRESS ALU.BODY FOR RESIN	1
3A1-234PR	D150-T 6-H50.00-U 2-X 6	PRESS ALU.BODY FOR RESIN	1
3A1-234XP	D150-T 6-H50.00-U 2-X 6	ALU+COPPER BODY FOR POLYIMIDE	1
3A1-221PR	D150-T 6-H50.00-U 3 -X 6	PRESS ALU.BODY FOR RESIN	1
3A1-221XP	D150-T 6-H50.00-U 3 -X 6	ALU+COPPER BODY FOR POLYIMIDE	1
3A1-235PR	D150-T 6-H50.00-U 3.5-X 6	PRESS ALU.BODY FOR RESIN	1
3A1-235XP	D150-T 6-H50.00-U 3.5-X 6	ALU+COPPER BODY FOR POLYIMIDE	1
3A1-534SM	D150-T 7-H20.00-U 1.5-X 6	STEEL BODY FOR METAL BOND	1
3A1-455XP	D150-T 8-H20.00-U 1 -X 6	ALU+COPPER BODY FOR POLYIMIDE	1
3A1-095PR	D150-T 8-H20.00-U 1.5-X 6	PRESS ALU.BODY FOR RESIN	1



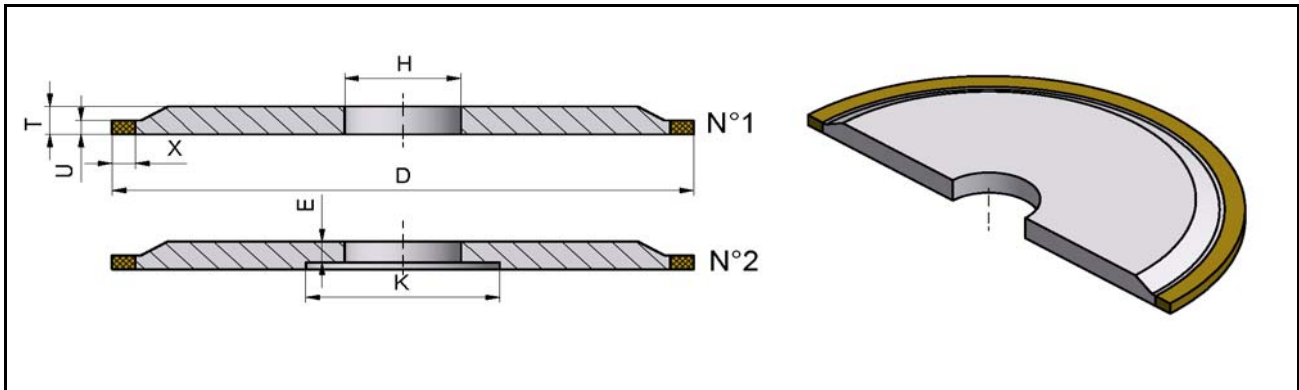
DRAWING	DIMENSIONS	BODY MATERIAL	N°
3A1-095XP	D150-T 8-H20.00-U 1.5-X 6	ALU+COPPER BODY FOR POLYIMIDE	1
3A1-373XP	D150-T 8-H20.00-U 1.6-X 6	ALU+COPPER BODY FOR POLYIMIDE	1
3A1-097PR	D150-T 8-H20.00-U 2 -X 6	PRESS ALU.BODY FOR RESIN	1
3A1-097SM	D150-T 8-H20.00-U 2 -X 6	STEEL BODY FOR METAL BOND	1
3A1-097XP	D150-T 8-H20.00-U 2 -X 6	ALU+COPPER BODY FOR POLYIMIDE	1
3A1-406XP	D150-T 8-H20.00-U 2.5-X 6	ALU+COPPER BODY FOR POLYIMIDE	1
3A1-081PR	D150-T 8-H20.00-U 3 -X 6	PRESS ALU.BODY FOR RESIN	1
3A1-081SM	D150-T 8-H20.00-U 3 -X 6	STEEL BODY FOR METAL BOND	1
3A1-081XP	D150-T 8-H20.00-U 3 -X 6	ALU+COPPER BODY FOR POLYIMIDE	1
3A1-589XP	D150-T 8-H20.00-U 3 -X10	ALU+COPPER BODY FOR POLYIMIDE	1
3A1-529XP	D150-T 8-H20.00-U 3.5-X 6	ALU+COPPER BODY FOR POLYIMIDE	1
3A1-094PR	D150-T 8-H20.00-U 4 -X 6	PRESS ALU.BODY FOR RESIN	1
3A1-094SM	D150-T 8-H20.00-U 4 -X 6	STEEL BODY FOR METAL BOND	1
3A1-094XP	D150-T 8-H20.00-U 4 -X 6	ALU+COPPER BODY FOR POLYIMIDE	1
3A1-580XP	D150-T 8-H20.00-U 4 -X10	ALU+COPPER BODY FOR POLYIMIDE	1
3A1-418PR	D150-T 8-H20.00-U 4.5-X 6	PRESS ALU.BODY FOR RESIN	1
3A1-070PR	D150-T 8-H20.00-U 5 -X 6	PRESS ALU.BODY FOR RESIN	1
3A1-070XP	D150-T 8-H20.00-U 5 -X 6	ALU+COPPER BODY FOR POLYIMIDE	1
3A1-466XP	D150-T 8-H20.00-U 5 -X10	ALU+COPPER BODY FOR POLYIMIDE	1
3A1-096CP	D150-T 8-H20.00-U 6 -X 6	COPPER BODY FOR POLYIMIDE	1
3A1-096PR	D150-T 8-H20.00-U 6 -X 6	PRESS ALU.BODY FOR RESIN	1
3A1-096SM	D150-T 8-H20.00-U 6 -X 6	STEEL BODY FOR METAL BOND	1
3A1-465CP	D150-T 8-H20.00-U 6 -X10	COPPER BODY FOR POLYIMIDE	1
3A1-465SM	D150-T 8-H20.00-U 6 -X10	STEEL BODY FOR METAL BOND	1
3A1-105CP	D150-T 8-H20.00-U 7 -X 6	COPPER BODY FOR POLYIMIDE	1
3A1-105PR	D150-T 8-H20.00-U 7 -X 6	PRESS ALU.BODY FOR RESIN	1
3A1-570XP	D150-T 8-H25.00-U 3-X 6	ALU+COPPER BODY FOR POLYIMIDE	1
3A1-597XP	D150-T 8-H25.00-U 4-X 6	ALU+COPPER BODY FOR POLYIMIDE	1
3A1-283XP	D150-T 8-H31.75-U 1 -X 6	ALU+COPPER BODY FOR POLYIMIDE	1
3A1-254XP	D150-T 8-H31.75-U 1 -X10	ALU+COPPER BODY FOR POLYIMIDE	1
3A1-244XP	D150-T 8-H31.75-U 1.2-X 6	ALU+COPPER BODY FOR POLYIMIDE	1
3A1-255XP	D150-T 8-H31.75-U 1.3-X10	ALU+COPPER BODY FOR POLYIMIDE	1
3A1-062PR	D150-T 8-H31.75-U 1.5-X 6	PRESS ALU.BODY FOR RESIN	1
3A1-062XP	D150-T 8-H31.75-U 1.5-X 6	ALU+COPPER BODY FOR POLYIMIDE	1
3A1-106PR	D150-T 8-H31.75-U 1.5-X10	PRESS ALU.BODY FOR RESIN	1
3A1-106XP	D150-T 8-H31.75-U 1.5-X10	ALU+COPPER BODY FOR POLYIMIDE	1
3A1-368XP	D150-T 8-H31.75-U 1.6-X 6	ALU+COPPER BODY FOR POLYIMIDE	1
3A1-012PR	D150-T 8-H31.75-U 2 -X 6	PRESS ALU.BODY FOR RESIN	1
3A1-012SM	D150-T 8-H31.75-U 2 -X 6	STEEL BODY FOR METAL BOND	1



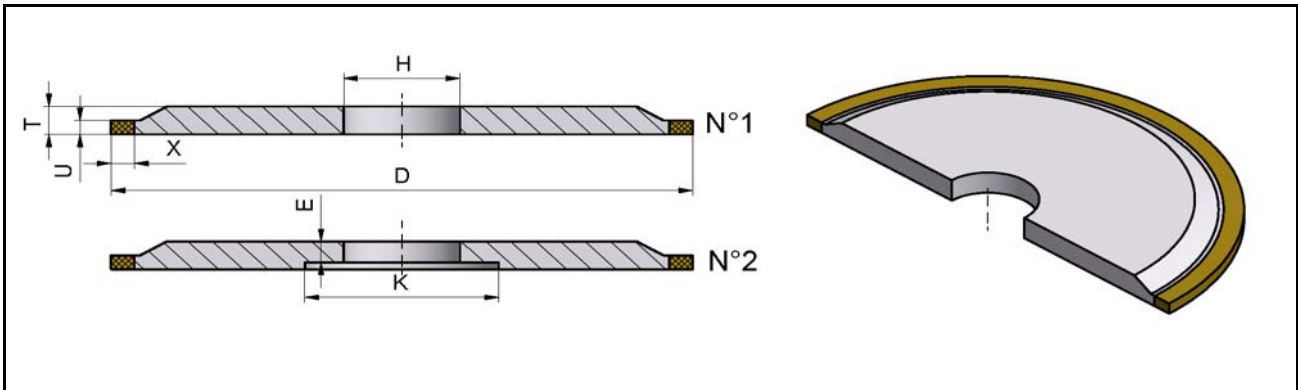
DRAWING	DIMENSIONS	BODY MATERIAL	N°
3A1-012XP	D150-T 8-H31.75-U 2 -X 6	ALU+COPPER BODY FOR POLYIMIDE	1
3A1-256XP	D150-T 8-H31.75-U 2 -X10	ALU+COPPER BODY FOR POLYIMIDE	1
3A1-245XP	D150-T 8-H31.75-U 2.2-X 6	ALU+COPPER BODY FOR POLYIMIDE	1
3A1-246PR	D150-T 8-H31.75-U 2.5-X 6	PRESS ALU.BODY FOR RESIN	1
3A1-246SM	D150-T 8-H31.75-U 2.5 -X 6	STEEL BODY FOR METAL BOND	1
3A1-246XP	D150-T 8-H31.75-U 2.5-X 6	ALU+COPPER BODY FOR POLYIMIDE	1
3A1-257XP	D150-T 8-H31.75-U 2.5-X10	ALU+COPPER BODY FOR POLYIMIDE	1
3A1-013PR	D150-T 8-H31.75-U 3 -X 6	PRESS ALU.BODY FOR RESIN	1
3A1-013SM	D150-T 8-H31.75-U 3 -X 6	STEEL BODY FOR METAL BOND	1
3A1-013XP	D150-T 8-H31.75-U 3 -X 6	ALU+COPPER BODY FOR POLYIMIDE	1
3A1-445PR	D150-T 8-H31.75-U 3 -X10	PRESS ALU.BODY FOR RESIN	1
3A1-445XP	D150-T 8-H31.75-U 3 -X10	ALU+COPPER BODY FOR POLYIMIDE	1
3A1-383XP	D150-T 8-H31.75-U 3.2-X 6	ALU+COPPER BODY FOR POLYIMIDE	1
3A1-250XP	D150-T 8-H31.75-U 3.5-X 6	ALU+COPPER BODY FOR POLYIMIDE	1
3A1-014PR	D150-T 8-H31.75-U 4-X 6	PRESS ALU.BODY FOR RESIN	1
3A1-014XP	D150-T 8-H31.75-U 4-X 6	ALU+COPPER BODY FOR POLYIMIDE	1
3A1-512PR	D150-T 8-H31.75-U 4-X10	PRESS ALU.BODY FOR RESIN	1
3A1-512XP	D150-T 8-H31.75-U 4-X10	ALU+COPPER BODY FOR POLYIMIDE	1
3A1-015PR	D150-T 8-H31.75-U 5-X 6	PRESS ALU.BODY FOR RESIN	1
3A1-015XP	D150-T 8-H31.75-U 5-X 6	ALU+COPPER BODY FOR POLYIMIDE	1
3A1-514PR	D150-T 8-H31.75-U 5-X10	PRESS ALU.BODY FOR RESIN	1
3A1-016CP	D150-T 8-H31.75-U 6-X 6	COPPER BODY FOR POLYIMIDE	1
3A1-016PR	D150-T 8-H31.75-U 6-X 6	PRESS ALU.BODY FOR RESIN	1
3A1-515CP	D150-T 8-H31.75-U 6-X10	COPPER BODY FOR POLYIMIDE	1
3A1-515PR	D150-T 8-H31.75-U 6-X10	PRESS ALU.BODY FOR RESIN	1
3A1-104CP	D150-T 8-H31.75-U 7-X 6	COPPER BODY FOR POLYIMIDE	1
3A1-104PR	D150-T 8-H31.75-U 7-X 6	PRESS ALU.BODY FOR RESIN	1
3A1-157PR	D150-T 8-H32.00-U 1.5-X 6	PRESS ALU.BODY FOR RESIN	1
3A1-157XP	D150-T 8-H32.00-U 1.5-X 6	ALU+COPPER BODY FOR POLYIMIDE	1
3A1-158PR	D150-T 8-H32.00-U 2 -X 6	PRESS ALU.BODY FOR RESIN	1
3A1-158XP	D150-T 8-H32.00-U 2 -X 6	ALU+COPPER BODY FOR POLYIMIDE	1
3A1-454XP	D150-T 8-H32.00-U 2.5-X10	ALU+COPPER BODY FOR POLYIMIDE	1
3A1-159PR	D150-T 8-H32.00-U 3-X 6	PRESS ALU.BODY FOR RESIN	1
3A1-159XP	D150-T 8-H32.00-U 3-X 6	ALU+COPPER BODY FOR POLYIMIDE	1
3A1-160PR	D150-T 8-H32.00-U 4-X 6	PRESS ALU.BODY FOR RESIN	1
3A1-160XP	D150-T 8-H32.00-U 4-X 6	ALU+COPPER BODY FOR POLYIMIDE	1
3A1-590XP	D150-T 8-H32.00-U 4-X10	ALU+COPPER BODY FOR POLYIMIDE	1
3A1-161PR	D150-T 8-H32.00-U 5-X 6	PRESS ALU.BODY FOR RESIN	1
3A1-161XP	D150-T 8-H32.00-U 5-X 6	ALU+COPPER BODY FOR POLYIMIDE	1



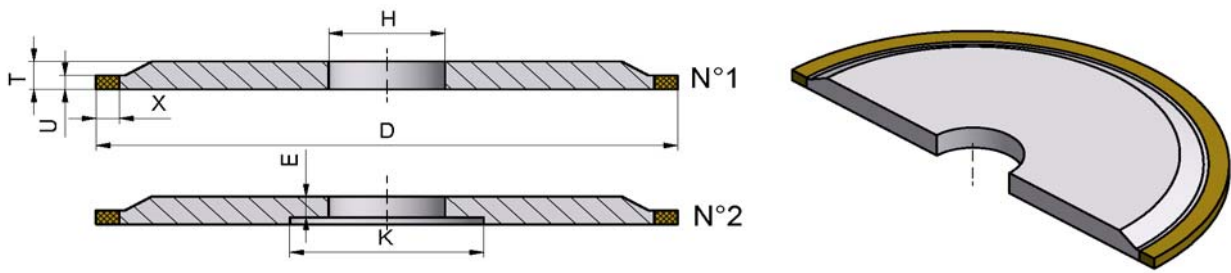
DRAWING	DIMENSIONS	BODY MATERIAL	N°
3A1-116CP	D150-T 8-H32.00-U 6-X 6	COPPER BODY FOR POLYIMIDE	1
3A1-116PR	D150-T 8-H32.00-U 6-X 6	PRESS ALU.BODY FOR RESIN	1
3A1-430CP	D150-T 8-H35.00-U 6-X 6	COPPER BODY FOR POLYIMIDE	1
3A1-561XP	D150-T 8-H40.00-U 1 -X 6	ALU+COPPER BODY FOR POLYIMIDE	1
3A1-101PR	D150-T 8-H40.00-U 2 -X 6	PRESS ALU.BODY FOR RESIN	1
3A1-101XP	D150-T 8-H40.00-U 2 -X 6	ALU+COPPER BODY FOR POLYIMIDE	1
3A1-100PR	D150-T 8-H40.00-U 3 -X 6	PRESS ALU.BODY FOR RESIN	1
3A1-100XP	D150-T 8-H40.00-U 3 -X 6	ALU+COPPER BODY FOR POLYIMIDE	1
3A1-213PR	D150-T 8-H40.00-U 3.5-X 6	PRESS ALU.BODY FOR RESIN	1
3A1-099PR	D150-T 8-H40.00-U 4 -X 6	PRESS ALU.BODY FOR RESIN	1
3A1-099XP	D150-T 8-H40.00-U 4 -X 6	ALU+COPPER BODY FOR POLYIMIDE	1
3A1-214PR	D150-T 8-H40.00-U 4.5-X 6	PRESS ALU.BODY FOR RESIN	1
3A1-098PR	D150-T 8-H40.00-U 5-X 6	PRESS ALU.BODY FOR RESIN	1
3A1-098XP	D150-T 8-H40.00-U 5-X 6	ALU+COPPER BODY FOR POLYIMIDE	1
3A1-048CP	D150-T 8-H40.00-U 6-X 6	COPPER BODY FOR POLYIMIDE	1
3A1-048PR	D150-T 8-H40.00-U 6-X 6	PRESS ALU.BODY FOR RESIN	1
3A1-103CP	D150-T 8-H40.00-U 7-X 6	COPPER BODY FOR POLYIMIDE	1
3A1-103PR	D150-T 8-H40.00-U 7-X 6	PRESS ALU.BODY FOR RESIN	1
3A1-576XP	D150-T 8-H50.00-U 0.9-X 6	ALU+COPPER BODY FOR POLYIMIDE	1
3A1-123PR	D150-T 8-H50.00-U 1 -X 6	PRESS ALU.BODY FOR RESIN	1
3A1-123XP	D150-T 8-H50.00-U 1 -X 6	ALU+COPPER BODY FOR POLYIMIDE	1
3A1-242XP	D150-T 8-H50.00-U 1.3-X 6	ALU+COPPER BODY FOR POLYIMIDE	1
3A1-517XP	D150-T 8-H50.00-U 1.4-X 6	ALU+COPPER BODY FOR POLYIMIDE	1
3A1-152PR	D150-T 8-H50.00-U 1.5-X 6	PRESS ALU.BODY FOR RESIN	1
3A1-152XP	D150-T 8-H50.00-U 1.5-X 6	ALU+COPPER BODY FOR POLYIMIDE	1
3A1-295PR	D150-T 8-H50.00-U 1.7 -X 6	PRESS ALU.BODY FOR RESIN	1
3A1-045PR	D150-T 8-H50.00-U 2 -X 6	PRESS ALU.BODY FOR RESIN	1
3A1-045XP	D150-T 8-H50.00-U 2 -X 6	ALU+COPPER BODY FOR POLYIMIDE	1
3A1-279PR	D150-T 8-H50.00-U 2 -X10	PRESS ALU.BODY FOR RESIN	1
3A1-279XP	D150-T 8-H50.00-U 2 -X10	ALU+COPPER BODY FOR POLYIMIDE	1
3A1-243XP	D150-T 8-H50.00-U 2.2-X 6	ALU+COPPER BODY FOR POLYIMIDE	1
3A1-218PR	D150-T 8-H50.00-U 2.5-X 6	PRESS ALU.BODY FOR RESIN	1
3A1-218XP	D150-T 8-H50.00-U 2.5-X 6	ALU+COPPER BODY FOR POLYIMIDE	1
3A1-296PR	D150-T 8-H50.00-U 2.5-X10	PRESS ALU.BODY FOR RESIN	1
3A1-296XP	D150-T 8-H50.00-U 2.5-X10	ALU+COPPER BODY FOR POLYIMIDE	1
3A1-023PR	D150-T 8-H50.00-U 3 -X 6	PRESS ALU.BODY FOR RESIN	1
3A1-023SM	D150-T 8-H50.00-U 3 -X 6	STEEL BODY FOR METAL BOND	1
3A1-023XP	D150-T 8-H50.00-U 3 -X 6	ALU+COPPER BODY FOR POLYIMIDE	1
3A1-129PR	D150-T 8-H50.00-U 3 -X10	PRESS ALU.BODY FOR RESIN	1



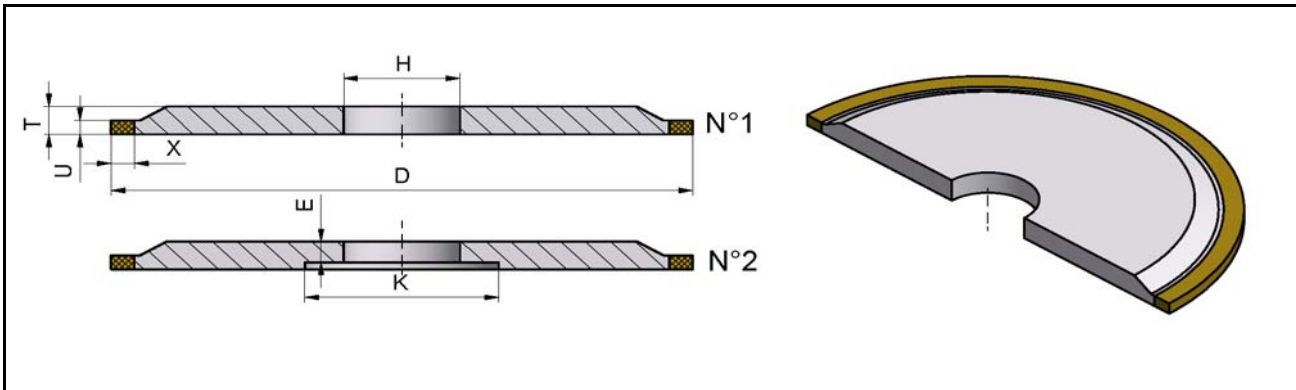
DRAWING	DIMENSIONS	BODY MATERIAL	N°
3A1-129SM	D150-T 8-H50.00-U 3 -X10	STEEL BODY FOR METAL BOND	1
3A1-129XP	D150-T 8-H50.00-U 3 -X10	ALU+COPPER BODY FOR POLYIMIDE	1
3A1-219PR	D150-T 8-H50.00-U 3.5-X 6	PRESS ALU.BODY FOR RESIN	1
3A1-219XP	D150-T 8-H50.00-U 3.5-X 6	ALU+COPPER BODY FOR POLYIMIDE	1
3A1-022PR	D150-T 8-H50.00-U 4 -X 6	PRESS ALU.BODY FOR RESIN	1
3A1-022SM	D150-T 8-H50.00-U 4 -X 6	STEEL BODY FOR METAL BOND	1
3A1-022XP	D150-T 8-H50.00-U 4 -X 6	ALU+COPPER BODY FOR POLYIMIDE	1
3A1-126PR	D150-T 8-H50.00-U 4 -X10	PRESS ALU.BODY FOR RESIN	1
3A1-126XP	D150-T 8-H50.00-U 4 -X10	ALU+COPPER BODY FOR POLYIMIDE	1
3A1-220PR	D150-T 8-H50.00-U 4.5-X 6	PRESS ALU.BODY FOR RESIN	1
3A1-220XP	D150-T 8-H50.00-U 4.5-X 6	ALU+COPPER BODY FOR POLYIMIDE	1
3A1-056PR	D150-T 8-H50.00-U 5 -X 6	PRESS ALU.BODY FOR RESIN	1
3A1-056XP	D150-T 8-H50.00-U 5 -X 6	ALU+COPPER BODY FOR POLYIMIDE	1
3A1-127PR	D150-T 8-H50.00-U 5 -X10	PRESS ALU.BODY FOR RESIN	1
3A1-127SM	D150-T 8-H50.00-U 5 -X10	STEEL BODY FOR METAL BOND	1
3A1-127XP	D150-T 8-H50.00-U 5 -X10	ALU+COPPER BODY FOR POLYIMIDE	1
3A1-238PR	D150-T 8-H50.00-U 5.5-X 6	PRESS ALU.BODY FOR RESIN	1
3A1-238XP	D150-T 8-H50.00-U 5.5-X 6	ALU+COPPER BODY FOR POLYIMIDE	1
3A1-054CP	D150-T 8-H50.00-U 6-X 6	COPPER BODY FOR POLYIMIDE	1
3A1-054PR	D150-T 8-H50.00-U 6-X 6	PRESS ALU.BODY FOR RESIN	1
3A1-054SM	D150-T 8-H50.00-U 6-X 6	STEEL BODY FOR METAL BOND	1
3A1-128CP	D150-T 8-H50.00-U 6-X10	COPPER BODY FOR POLYIMIDE	1
3A1-128PR	D150-T 8-H50.00-U 6-X10	PRESS ALU.BODY FOR RESIN	1
3A1-102CP	D150-T 8-H50.00-U 7-X 6	COPPER BODY FOR POLYIMIDE	1
3A1-102PR	D150-T 8-H50.00-U 7-X 6	PRESS ALU.BODY FOR RESIN	1
3A1-102SM	D150-T 8-H50.00-U 7-X 6	STEEL BODY FOR METAL BOND	1
3A1-409CP	D150-T 8-H50.00-U 7-X10	COPPER BODY FOR POLYIMIDE	1
3A1-182PR	D150-T 8-H50.80-U 6-X 6	PRESS ALU.BODY FOR RESIN	1
3A1-149PR	D150-T 8-H55.00-U 3-X 6	PRESS ALU.BODY FOR RESIN	1
3A1-369XP	D150-T 9-H31.75-U 1 -X 6	ALU+COPPER BODY FOR POLYIMIDE	1
3A1-311XP	D150-T 9-H31.75-U 1.2-X 6	ALU+COPPER BODY FOR POLYIMIDE	1
3A1-312XP	D150-T 9-H31.75-U 1.5-X 6	ALU+COPPER BODY FOR POLYIMIDE	1
3A1-294XP	D150-T 9-H31.75-U 2 -X 6	ALU+COPPER BODY FOR POLYIMIDE	1
3A1-298XP	D150-T 9-H31.75-U 2.5-X 6	ALU+COPPER BODY FOR POLYIMIDE	1
3A1-299XP	D150-T 9-H31.75-U 3 -X 6	ALU+COPPER BODY FOR POLYIMIDE	1
3A1-300XP	D150-T 9-H31.75-U 3.5-X 6	ALU+COPPER BODY FOR POLYIMIDE	1
3A1-428XP	D150-T 9-H31.75-U 4 -X 6	ALU+COPPER BODY FOR POLYIMIDE	1
3A1-204PR	D150-T10-H20.00-U 1 -X 6	PRESS ALU.BODY FOR RESIN	1
3A1-205PR	D150-T10-H20.00-U 1.5-X 6	PRESS ALU.BODY FOR RESIN	1



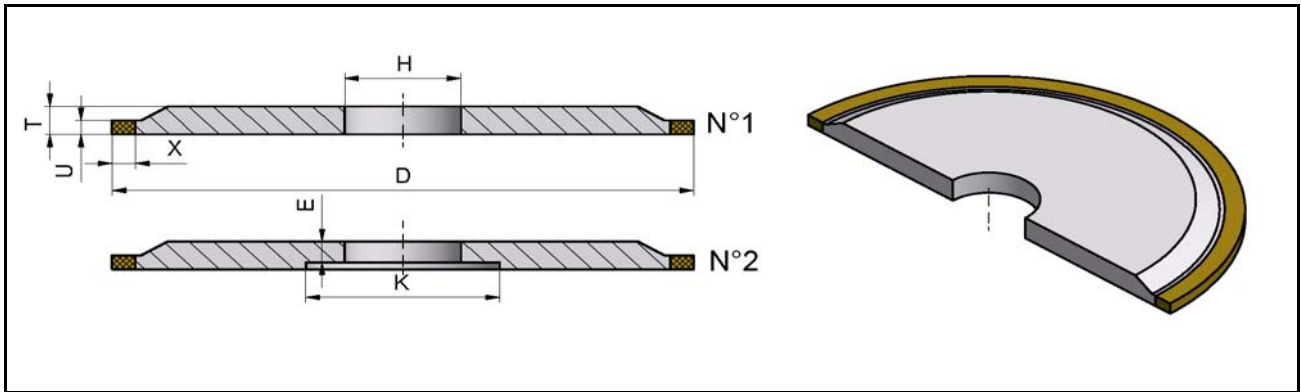
DRAWING	DIMENSIONS	BODY MATERIAL	N°
3A1-206PR	D150-T10-H20.00-U 2-X 6	PRESS ALU.BODY FOR RESIN	1
3A1-207PR	D150-T10-H20.00-U 3-X 6	PRESS ALU.BODY FOR RESIN	1
3A1-208PR	D150-T10-H20.00-U 4-X 6	PRESS ALU.BODY FOR RESIN	1
3A1-479XP	D150-T10-H20.00-U 6 -X 6	ALU+COPPER BODY FOR POLYIMIDE	1
3A1-273XP	D150-T10-H31.75-U 1 -X10	ALU+COPPER BODY FOR POLYIMIDE	1
3A1-303XP	D150-T10-H31.75-U 1.2-X10	ALU+COPPER BODY FOR POLYIMIDE	1
3A1-274XP	D150-T10-H31.75-U 1.3-X10	ALU+COPPER BODY FOR POLYIMIDE	1
3A1-318XP	D150-T10-H31.75-U 1.5-X10	ALU+COPPER BODY FOR POLYIMIDE	1
3A1-278XP	D150-T10-H31.75-U 2 -X 6	ALU+COPPER BODY FOR POLYIMIDE	1
3A1-304XP	D150-T10-H31.75-U 2 -X10	ALU+COPPER BODY FOR POLYIMIDE	1
3A1-324XP	D150-T10-H31.75-U 2.5-X 6	ALU+COPPER BODY FOR POLYIMIDE	1
3A1-305XP	D150-T10-H31.75-U 2.5-X10	ALU+COPPER BODY FOR POLYIMIDE	1
3A1-292XP	D150-T10-H31.75-U 3-X 6	ALU+COPPER BODY FOR POLYIMIDE	1
3A1-553SM	D150-T10-H31.75-U 6.5-X 6	STEEL BODY FOR METAL BOND	1
3A1-432XP	D150-T10-H35.00-U 2 -X 6	ALU+COPPER BODY FOR POLYIMIDE	1
3A1-433XP	D150-T10-H35.00-U 3 -X 6	ALU+COPPER BODY FOR POLYIMIDE	1
3A1-289XP	D150-T10-H40.00-U 6 -X 6	ALU+COPPER BODY FOR POLYIMIDE	1
3A1-290CP	D150-T10-H40.00-U 8-X 6	COPPER BODY FOR POLYIMIDE	1
3A1-291CP	D150-T10-H40.00-U 9-X 6	COPPER BODY FOR POLYIMIDE	1
3A1-268XP	D150-T10-H50.00-U 1.2-X 6	ALU+COPPER BODY FOR POLYIMIDE	1
3A1-269XP	D150-T10-H50.00-U 1.8-X 6	ALU+COPPER BODY FOR POLYIMIDE	1
3A1-167PR	D150-T10-H50.00-U 2 -X 6	PRESS ALU.BODY FOR RESIN	1
3A1-167XP	D150-T10-H50.00-U 2 -X 6	ALU+COPPER BODY FOR POLYIMIDE	1
3A1-270XP	D150-T10-H50.00-U 3 -X 6	ALU+COPPER BODY FOR POLYIMIDE	1
3A1-262PR	D150-T10-H50.00-U 4 -X 6	PRESS ALU.BODY FOR RESIN	1
3A1-271XP	D150-T10-H50.00-U 4.5-X 6	ALU+COPPER BODY FOR POLYIMIDE	1
3A1-403CP	D150-T10-H50.00-U 8-X 6	COPPER BODY FOR POLYIMIDE	1
3A1-209PR	D150-T15-H20.00-U 3.5-X 6	PRESS ALU.BODY FOR RESIN	1
3A1-169PR	D150-T15-H32.00-U 8-X 6	PRESS ALU.BODY FOR RESIN	1
3A1-500XP	D150-T15-H40.00-U 1.5-X 6	ALU+COPPER BODY FOR POLYIMIDE	1
3A1-499XP	D150-T15-H40.00-U 2.5-X 6	ALU+COPPER BODY FOR POLYIMIDE	1
3A1-306XP	D150-T15-H40.00-U 3-X 6	ALU+COPPER BODY FOR POLYIMIDE	1
3A1-042PR	D150-T15-H40.00-U 4-X 6	PRESS ALU.BODY FOR RESIN	1
3A1-042XP	D150-T15-H40.00-U 4-X 6	ALU+COPPER BODY FOR POLYIMIDE	1
3A1-316XP	D150-T15-H40.00-U 4-X10	ALU+COPPER BODY FOR POLYIMIDE	1
3A1-394PR	D150-T15-H40.00-U 5-X 6	PRESS ALU.BODY FOR RESIN	1
3A1-527XP	D150-T15-H40.00-U 5-X10	ALU+COPPER BODY FOR POLYIMIDE	1
3A1-526PR	D150-T15-H40.00-U 6-X 6	PRESS ALU.BODY FOR RESIN	1
3A1-317XP	D150-T15-H40.00-U 6-X10	ALU+COPPER BODY FOR POLYIMIDE	1



DRAWING	DIMENSIONS	BODY MATERIAL	N°
3A1-084PR	D150-T15-H40.00-U 8-X 6	PRESS ALU.BODY FOR RESIN	1
3A1-133PR	D150-T15-H40.00-U10-X 6	PRESS ALU.BODY FOR RESIN	1
3A1-544XP	D150-T20-H31.75-U 0.9-X 6-E12-K62	ALU+COPPER BODY FOR POLYIMIDE	2
3A1-594XP	D150-T20-H31.75-U 1-X 6-E12-K62	ALU+COPPER BODY FOR POLYIMIDE	2
3A1-530XP	D150-T20-H31.75-U 1.5-X 6-E12-K62	ALU+COPPER BODY FOR POLYIMIDE	2
3A1-507XP	D150-T20-H31.75-U 1.8-X 6-E12-K62	ALU+COPPER BODY FOR POLYIMIDE	2
3A1-187PR	D150-T20-H31.75-U 2 -X 6-E12-K62	PRESS ALU.BODY FOR RESIN	2
3A1-187SM	D150-T20-H31.75-U 2 -X 6-E12-K62	STEEL BODY FOR METAL BOND	2
3A1-187XP	D150-T20-H31.75-U 2 -X 6-E12-K62	ALU+COPPER BODY FOR POLYIMIDE	2
3A1-192PR	D150-T20-H31.75-U 2.5-X 6-E12-K62	PRESS ALU.BODY FOR RESIN	2
3A1-192SM	D150-T20-H31.75-U 2.5-X 6-E12-K62	STEEL BODY FOR METAL BOND	2
3A1-192XP	D150-T20-H31.75-U 2.5-X 6-E12-K62	ALU+COPPER BODY FOR POLYIMIDE	2
3A1-241PR	D150-T20-H31.75-U 3-X 6-E12-K62	PRESS ALU.BODY FOR RESIN	2
3A1-241SM	D150-T20-H31.75-U 3-X 6-E12-K62	STEEL BODY FOR METAL BOND	2
3A1-241XP	D150-T20-H31.75-U 3-X 6-E12-K62	ALU+COPPER BODY FOR POLYIMIDE	2
3A1-232PR	D150-T20-H31.75-U 4-X 6-E12-K62	PRESS ALU.BODY FOR RESIN	2
3A1-232XP	D150-T20-H31.75-U 4-X 6-E12-K62	ALU+COPPER BODY FOR POLYIMIDE	2
3A1-186PR	D150-T20-H31.75-U 5-X 6-E12-K62	PRESS ALU.BODY FOR RESIN	2
3A1-186SM	D150-T20-H31.75-U 5-X 6-E12-K62	STEEL BODY FOR METAL BOND	2
3A1-186XP	D150-T20-H31.75-U 5-X 6-E12-K62	ALU+COPPER BODY FOR POLYIMIDE	2
3A1-301PR	D150-T20-H31.75-U 6 -X 6-E12-K62	PRESS ALU.BODY FOR RESIN	2
3A1-301SM	D150-T20-H31.75-U 6 -X 6-E12-K62	STEEL BODY FOR METAL BOND	2
3A1-301XP	D150-T20-H31.75-U 6 -X 6-E12-K62	ALU+COPPER BODY FOR POLYIMIDE	2
3A1-461SM	D150-T20-H31.75-U 8-X 6-E12-K62	STEEL BODY FOR METAL BOND	2
3A1-461XP	D150-T20-H31.75-U 8-X 6-E12-K62	ALU+COPPER BODY FOR POLYIMIDE	2
3A1-239PR	D150-T23-H20.00-U 3-X 6	PRESS ALU.BODY FOR RESIN	1
3A1-239XP	D150-T23-H20.00-U 3-X 6	ALU+COPPER BODY FOR POLYIMIDE	1
3A1-392CP	D175-T 8-H20.00-U 7-X 6	COPPER BODY FOR POLYIMIDE	1
3A1-525XP	D175-T 8-H31.75-U 3-X 6	ALU+COPPER BODY FOR POLYIMIDE	1
3A1-523XP	D175-T 8-H76.00-U 2.5-X 6	ALU+COPPER BODY FOR POLYIMIDE	1
3A1-524XP	D175-T 8-H76.00-U 3.5-X 6	ALU+COPPER BODY FOR POLYIMIDE	1
3A1-212PR	D175-T10-H40.00-U 5-X 6	PRESS ALU.BODY FOR RESIN	1
3A1-176PR	D175-T10-H45.00-U 2.5-X 6	PRESS ALU.BODY FOR RESIN	1
3A1-601SM	D175-T20-H31.75-U 4-X 6-E12-K62	STEEL BODY FOR METAL BOND	2
3A1-276PR	D200-T 6-H20.00-U 2-X 6	PRESS ALU.BODY FOR RESIN	1
3A1-518XP	D200-T10-H20.00-U 4-X 6	ALU+COPPER BODY FOR POLYIMIDE	1
3A1-558XP	D200-T10-H20.00-U 6-X 6	ALU+COPPER BODY FOR POLYIMIDE	1
3A1-623XP	D200-T10-H20.00-U 6-X10	ALU+COPPER BODY FOR POLYIMIDE	1
3A1-602PR	D200-T10-H31.75-U 6-X 6	PRESS ALU.BODY FOR RESIN	1



DRAWING	DIMENSIONS	BODY MATERIAL	N°
3A1-602SM	D200-T10-H31.75-U 6-X 6	STEEL BODY FOR METAL BOND	1
3A1-620XP	D200-T10-H40.00-U 2-X 6	ALU+COPPER BODY FOR POLYIMIDE	1
3A1-612XP	D200-T10-H40.00-U 3-X 6	ALU+COPPER BODY FOR POLYIMIDE	1
3A1-610XP	D200-T10-H40.00-U 4-X 6	ALU+COPPER BODY FOR POLYIMIDE	1
3A1-611XP	D200-T10-H40.00-U 5-X 6	ALU+COPPER BODY FOR POLYIMIDE	1
3A1-618XP	D200-T10-H40.00-U 6-X 6	ALU+COPPER BODY FOR POLYIMIDE	1
3A1-177PR	D200-T10-H45.00-U 2.5-X 6	PRESS ALU.BODY FOR RESIN	1
3A1-438SM	D200-T10-H50.00-U 2.5-X 6	STEEL BODY FOR METAL BOND	1
3A1-622XP	D200-T10-H51.00-U 3-X 6	ALU+COPPER BODY FOR POLYIMIDE	1
3A1-569SM	D200-T10-H51.00-U 4-X 6	STEEL BODY FOR METAL BOND	1
3A1-537SM	D200-T10-H51.00-U 6-X 6	STEEL BODY FOR METAL BOND	1
3A1-624XP	D200-T12-H20.00-U 8-X10	ALU+COPPER BODY FOR POLYIMIDE	1
3A1-619XP	D200-T12-H40.00-U 8-X 6	ALU+COPPER BODY FOR POLYIMIDE	1
3A1-345CP	D200-T14-H31.75-U 5-X 6-E 6-K62(special)	COPPER BODY FOR POLYIMIDE	2
3A1-344CP	D200-T15-H31.75-U 6-X 6-E 6-K112(special)	COPPER BODY FOR POLYIMIDE	2
3A1-393PR	D200-T15-H38.00-U 5-X 6	PRESS ALU.BODY FOR RESIN	1
3A1-562CP	D200-T17-H31.75-U 8-X 6-E 6-K112(special)	COPPER BODY FOR POLYIMIDE	2
3A1-188PR	D200-T20-H31.75-U 2-X 6-E12-K62	PRESS ALU.BODY FOR RESIN	2
3A1-494PR	D200-T20-H31.75-U 3-X 3-E12-K62	PRESS ALU.BODY FOR RESIN	2
3A1-351XP	D200-T20-H31.75-U 3-X 6-E12-K62	ALU+COPPER BODY FOR POLYIMIDE	2
3A1-231PR	D200-T20-H31.75-U 4-X 6-E12-K62	PRESS ALU.BODY FOR RESIN	2
3A1-231XP	D200-T20-H31.75-U 4-X 6-E12-K62	ALU+COPPER BODY FOR POLYIMIDE	2
3A1-588PR	D200-T20-H31.75-U 4-X10-E12-K62	PRESS ALU.BODY FOR RESIN	2
3A1-495PR	D200-T20-H31.75-U 5-X 3-E12-K62	PRESS ALU.BODY FOR RESIN	2
3A1-315PR	D200-T20-H31.75-U 5-X 6-E12-K62	PRESS ALU.BODY FOR RESIN	2
3A1-315XP	D200-T20-H31.75-U 5-X 6-E12-K62	ALU+COPPER BODY FOR POLYIMIDE	2
3A1-567PR	D200-T20-H31.75-U 6-X 3-E12-K62	PRESS ALU.BODY FOR RESIN	2
3A1-038PR	D200-T20-H31.75-U 6-X 4.5-E12-K62	PRESS ALU.BODY FOR RESIN	2
3A1-587PR	D200-T20-H31.75-U 6-X10-E12-K62	PRESS ALU.BODY FOR RESIN	2
3A1-407PR	D200-T20-H31.75-U 7-X 3-E12-K62	PRESS ALU.BODY FOR RESIN	2
3A1-496PR	D200-T20-H31.75-U 8-X 3-E12-K62	PRESS ALU.BODY FOR RESIN	2
3A1-107PR	D200-T20-H31.75-U 8-X 4.5-E12-K62	PRESS ALU.BODY FOR RESIN	2
3A1-293PR	D200-T20-H31.75-U 8-X 6	PRESS ALU.BODY FOR RESIN	1
3A1-079PR	D200-T20-H31.75-U10-X 3-E12-K62	PRESS ALU.BODY FOR RESIN	2
3A1-308PR	D200-T20-H31.75-U10-X 6	PRESS ALU.BODY FOR RESIN	1
3A1-497PR	D200-T20-H31.75-U11-X 3-E12-K62	PRESS ALU.BODY FOR RESIN	2
3A1-546PR	D200-T20-H31.75-U11-X 6-E12-K62	PRESS ALU.BODY FOR RESIN	2
3A1-065PR	D200-T20-H31.75-U12-X 3-E12-K62	PRESS ALU.BODY FOR RESIN	2
3A1-194PR	D200-T20-H31.75-U13-X 3-E12-K62	PRESS ALU.BODY FOR RESIN	2



DRAWING	DIMENSIONS	BODY MATERIAL	N°
3A1-046PR	D200-T20-H31.75-U14-X 3-E12-K62	PRESS ALU.BODY FOR RESIN	2
3A1-034PR	D200-T20-H31.75-U15-X 3-E12-K62	PRESS ALU.BODY FOR RESIN	2
3A1-064PR	D200-T20-H31.75-U16-X 3-E12-K62	PRESS ALU.BODY FOR RESIN	2
3A1-396PR	D200-T20-H31.75-U18-X 3-E12-K62	PRESS ALU.BODY FOR RESIN	2
3A1-577XM	D200-T20-H50.80-U 6-X 6	STEEL+ALU BODY FOR METAL BOND	1
3A1-413PR	D250-T10-H 76.00-U 5-X 6	PRESS ALU.BODY FOR RESIN	1
3A1-415PR	D250-T10-H 76.20-U 3-X 6	PRESS ALU.BODY FOR RESIN	1
3A1-417PR	D250-T10-H 76.20-U 6-X 6	PRESS ALU.BODY FOR RESIN	1
3A1-376PR	D250-T10-H127.00-U 5-X 6	PRESS ALU.BODY FOR RESIN	1
3A1-366SM	D250-T20-H31.75-U 3-X 6-E12-K62	STEEL BODY FOR METAL BOND	2
3A1-366XP	D250-T20-H31.75-U 3-X 6-E12-K62	ALU+COPPER BODY FOR POLYIMIDE	2
3A1-352SM	D250-T20-H31.75-U 4-X 6-E12-K62	STEEL BODY FOR METAL BOND	2
3A1-352XP	D250-T20-H31.75-U 4-X 6-E12-K62	ALU+COPPER BODY FOR POLYIMIDE	2
3A1-390XP	D250-T20-H31.75-U 5-X 6-E12-K62	ALU+COPPER BODY FOR POLYIMIDE	2
3A1-462SM	D250-T20-H31.75-U 6-X 6-E12-K62	STEEL BODY FOR METAL BOND	2
3A1-462XP	D250-T20-H31.75-U 6-X 6-E12-K62	ALU+COPPER BODY FOR POLYIMIDE	2
3A1-485PR	D250-T20-H31.75-U 9-X 6-E12-K62	PRESS ALU.BODY FOR RESIN	2
3A1-453PR	D250-T20-H31.75-U10-X 6-E12-K62	PRESS ALU.BODY FOR RESIN	2
3A1-486PR	D250-T20-H31.75-U13-X 6-E12-K62	PRESS ALU.BODY FOR RESIN	2
3A1-480PR	D250-T20-H31.75-U18-X 6-E12-K62	PRESS ALU.BODY FOR RESIN	2
3A1-548XM	D250-T20-H50.80-U 6.5-X 6	STEEL+ALU BODY FOR METAL BOND	1
3A1-598SM	D250-T20-H50.80-U 8-X 6	STEEL BODY FOR METAL BOND	1
3A1-387PR	D300-T10-H127.00-U 5-X 6	PRESS ALU.BODY FOR RESIN	1
3A1-506PR	D300-T10-H127.00-U 6-X 6	PRESS ALU.BODY FOR RESIN	1
3A1-431PR	D300-T14-H127.00-U 6-X 6	PRESS ALU.BODY FOR RESIN	1
3A1-451PR	D300-T15-H126.75-U 6.6-X 6	PRESS ALU.BODY FOR RESIN	1
3A1-600PR	D300-T20-H127.00-U 3-X 6	PRESS ALU.BODY FOR RESIN	1
3A1-474PR	D300-T20-H127.00-U 4-X 6	PRESS ALU.BODY FOR RESIN	1
3A1-471PR	D300-T20-H127.00-U 5-X 6	PRESS ALU.BODY FOR RESIN	1
3A1-446PR	D300-T20-H127.00-U10-X 6	PRESS ALU.BODY FOR RESIN	1