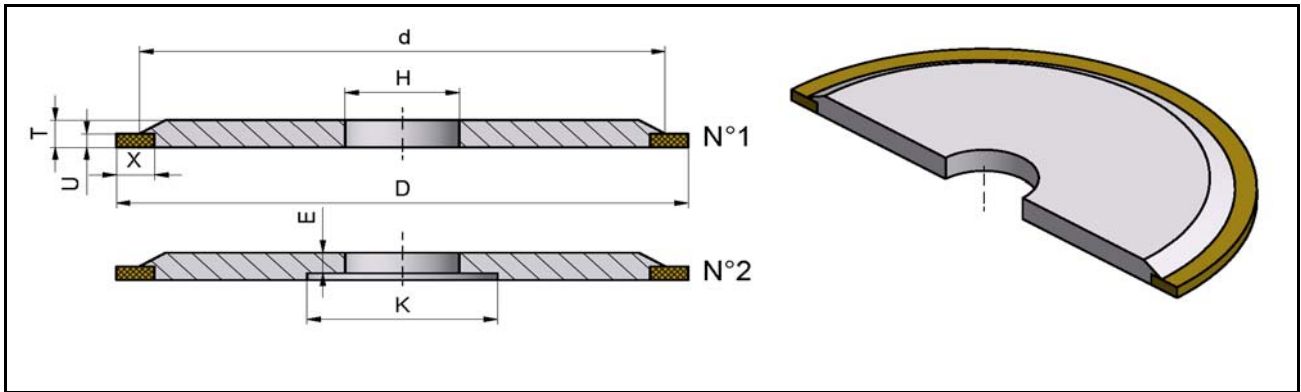


DRAWING	DIMENSIONS	BODY MATERIAL	N°
3A9-012PR	D 80-T 6-H10.00-U 1-X 6	PRESS ALU. BODY FOR RESIN	1
3A9-011PR	D100-T 6-H10.00-U 1-X 6	PRESS ALU. BODY FOR RESIN	1
3A9-044PR	D100-T 6-H10.00-U 3-X10	PRESS ALU. BODY FOR RESIN	1
3A9-035PR	D100-T 6-H31.75-U 1-X 6	PRESS ALU. BODY FOR RESIN	1
3A9-026XP	D100-T 8-H10.00-U 1.2-X 6	ALU+COPPER BODY FOR POLYIMIDE	1
3A9-028XP	D100-T 8-H10.00-U 2 -X 6	ALU+COPPER BODY FOR POLYIMIDE	1
3A9-024XP	D100-T10-H10.00-U 1.2-X 6	ALU+COPPER BODY FOR POLYIMIDE	1
3A9-023XP	D100-T10-H10.00-U 2 -X 6	ALU+COPPER BODY FOR POLYIMIDE	1
3A9-022XP	D100-T10-H10.00-U 3 -X 6	ALU+COPPER BODY FOR POLYIMIDE	1
3A9-037PR	D125-T 6-H35.00-U 1-X 6	PRESS ALU. BODY FOR RESIN	1
3A9-034PR	D125-T 6-H35.00-U 4-X12.5	PRESS ALU. BODY FOR RESIN	1
3A9-015PR	D125-T 8-H20.00-U 2-X 6	PRESS ALU. BODY FOR RESIN	1
3A9-016PR	D125-T 8-H20.00-U 3-X 6	PRESS ALU. BODY FOR RESIN	1
3A9-019PR	D125-T10-H10.00-U 1-X 6	PRESS ALU. BODY FOR RESIN	1
3A9-008PR	D125-T10-H10.00-U 2-X 6	PRESS ALU. BODY FOR RESIN	1
3A9-008PR	D125-T10-H10.00-U 2-X 6 (special)	PRESS ALU. BODY FOR RESIN	1
3A9-013PR	D125-T10-H10.00-U 2-X10	PRESS ALU. BODY FOR RESIN	1
3A9-014PR	D125-T10-H10.00-U 3-X10	PRESS ALU. BODY FOR RESIN	1
3A9-009PR	D125-T10-H10.00-U 4-X10	PRESS ALU. BODY FOR RESIN	1
3A9-031PR	D125-T10-H10.00-U 6-X10	PRESS ALU. BODY FOR RESIN	1
3A9-010PR	D125-T10-H20.00-U 4-X 6	PRESS ALU. BODY FOR RESIN	1
3A9-036XP	D125-T10-H25.00-U4-X10-E_(special)	ALU+COPPER BODY FOR POLYIMIDE	3
3A9-025PR	D140-T10-H20.00-U 5-X 6-E 6-K56	PRESS ALU. BODY FOR RESIN	2
3A9-017PR	D150-T 8-H31.75-U 1 -X 6	PRESS ALU. BODY FOR RESIN	1
3A9-021XP	D150-T 8-H31.75-U 1.2-X10	ALU+COPPER BODY FOR POLYIMIDE	1
3A9-039PR	D150-T 8-H31.75-U 1.4-X 6	PRESS ALU. BODY FOR RESIN	1
3A9-029XP	D150-T 8-H31.75-U 1.6-X10	ALU+COPPER BODY FOR POLYIMIDE	1
3A9-040PR	D150-T 8-H31.75-U 1.8-X 6	PRESS ALU. BODY FOR RESIN	1
3A9-020XP	D150-T 8-H31.75-U 2 -X10	ALU+COPPER BODY FOR POLYIMIDE	1
3A9-032XP	D150-T 8-H31.75-U 2.5 -X10	ALU+COPPER BODY FOR POLYIMIDE	1
3A9-030XP	D150-T 8-H31.75-U 3 -X10	ALU+COPPER BODY FOR POLYIMIDE	1
3A9-046XP	D150-T10-H50.00-U 0.8-X 6	ALU+COPPER BODY FOR POLYIMIDE	1
3A9-045XP	D150-T10-H50.00-U 2.5-X 6	ALU+COPPER BODY FOR POLYIMIDE	1
3A9-007XP	D150-T20-H31.75-U 2.5-X 6-E12-K62	ALU+COPPER BODY FOR POLYIMIDE	2
3A9-018PR	D175-T20-H32.00-U 4-X 6	PRESS ALU. BODY FOR RESIN	1
3A9-001PR	D200-T13-H58.00-U 1.5-X 6	PRESS ALU. BODY FOR RESIN	1
3A9-002PR	D200-T13-H58.00-U 2-X 6	PRESS ALU. BODY FOR RESIN	1
3A9-003PR	D200-T13-H58.00-U 3-X 6	PRESS ALU. BODY FOR RESIN	1
3A9-004PR	D200-T13-H58.00-U 4-X 6	PRESS ALU. BODY FOR RESIN	1



DRAWING	DIMENSIONS	BODY MATERIAL	N°
3A9-005PR	D200-T13-H58.00-U 5-X 6	PRESS ALU. BODY FOR RESIN	1
3A9-006PR	D200-T13-H58.00-U 6-X 6	PRESS ALU. BODY FOR RESIN	1
3A9-027PP	D200-T20-H31.75-U 4-X10-E12-K62	PRESS ALU. BODY FOR POLYIMIDE	2
3A9-027PR	D200-T20-H31.75-U 4-X10-E12-K62	PRESS ALU. BODY FOR RESIN	2
3A9-033XP	D250-T20-H31.75-U 4 -X 6-E12-K62	ALU+COPPER BODY FOR POLYIMIDE	2