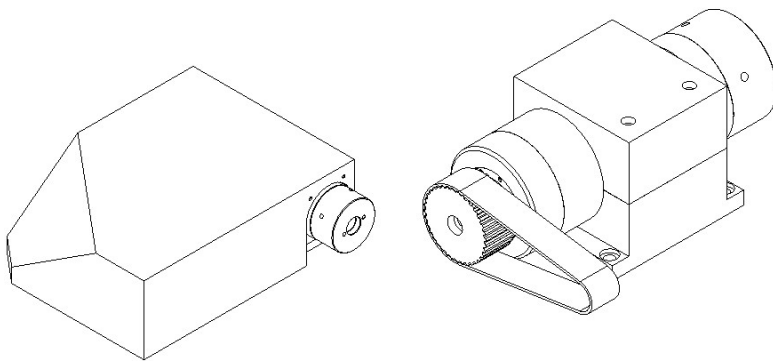
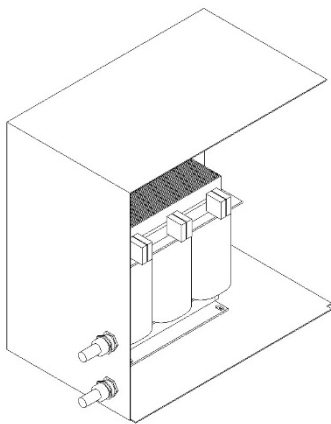
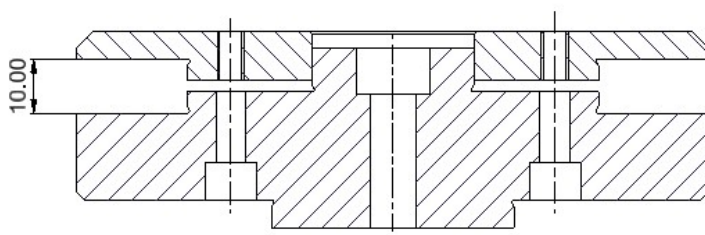
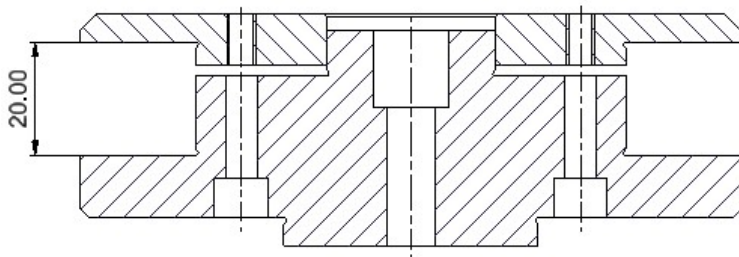
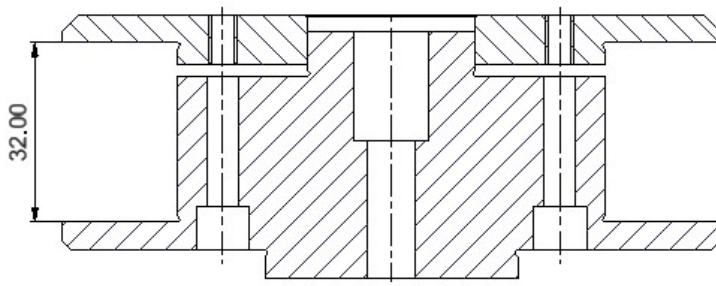
**300-0114-01**Spindle system $\varnothing 60\text{mm}$
Range from $\varnothing 0$ to $\varnothing 280$ **300-0113-02**Spindle system $\varnothing 80\text{mm}$
Range from $\varnothing 20$ to $\varnothing 300$ **300-0700-01**Transformer for US
PRI 3x480V SEC 3x400V 16A**A0291**Flange for dressing wheel SiC
Thickness 10mm



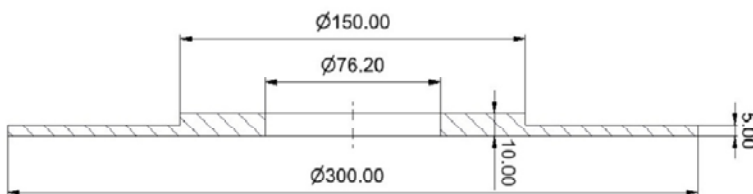
A0292

Flange for dressing wheel SiC
Thickness 20mm



A0293

Flange for dressing wheel SiC
Thickness 32mm



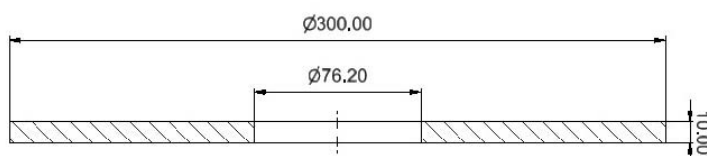
Wheel Sic Type 38:
Ø300x10x76.20-U5- J150

A11128 15C 1000 N7BY1

A12677 80C 500 I7 V62A

A12669 10C 320 KL7V

A12613 10C 120 KL7V



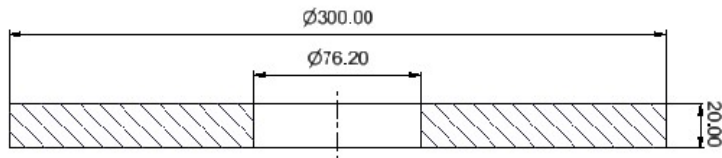
Wheel Sic Type 1:
Ø300x10x76.20

A12673 SC9 1000 J12 RE DM

A12678 80C 500 I7 V62A

A12667 10C 320 KL7V

A12611 10C 120 KL7V



**Wheel Sic Type 1:
Ø300x20x76.20**

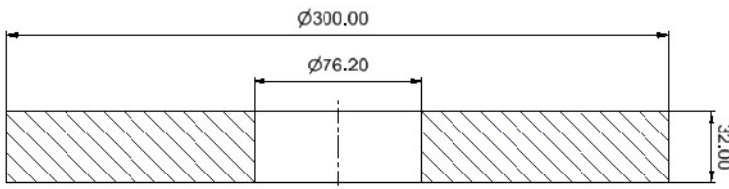
A12674 SC9 1000 J12 RE DM

A12679 80C 500 I7 V62A

A12668 10C 320 KL7V

A12612 10C 120 KL7V

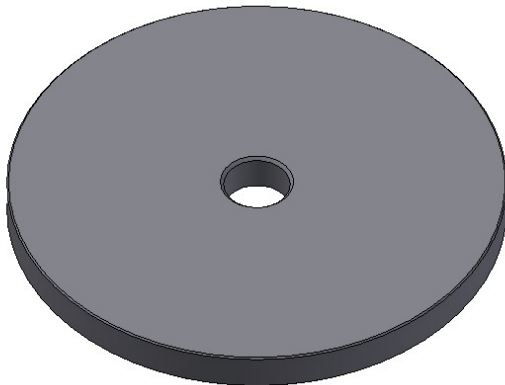
A12652 10C 60 KL7V



**Wheel Sic Type 1:
Ø300x32x76.20**

A12640 10C 120 KL7V

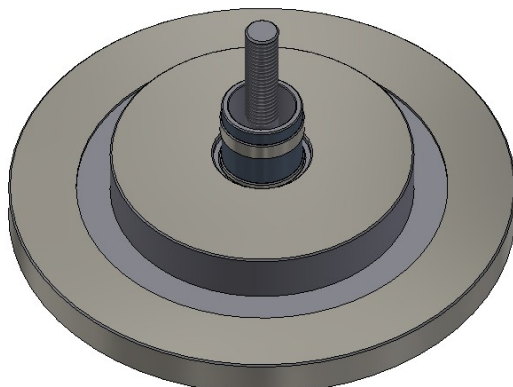
A12653 10C 60 KL7V



A12211

Gauge Wheel

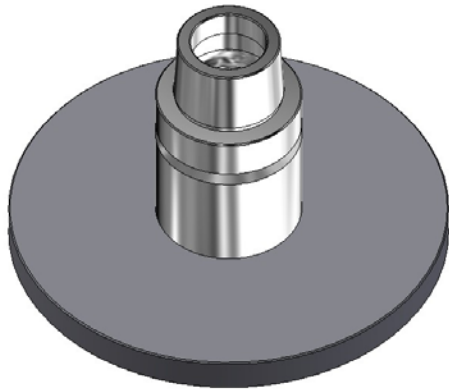
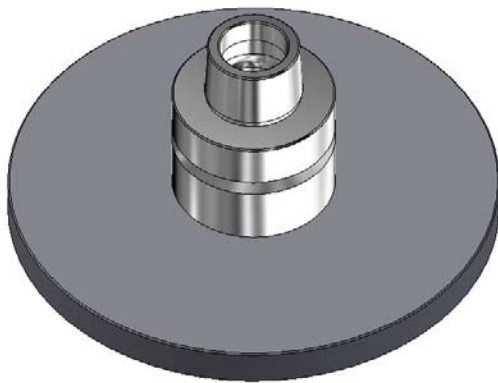
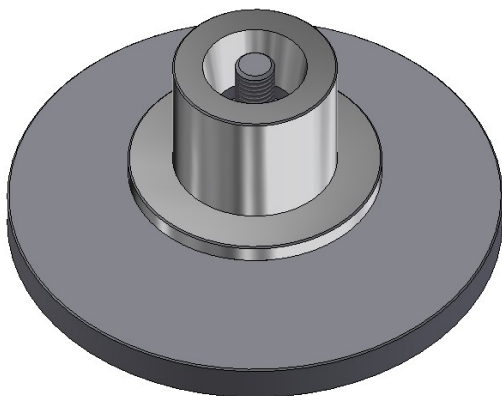
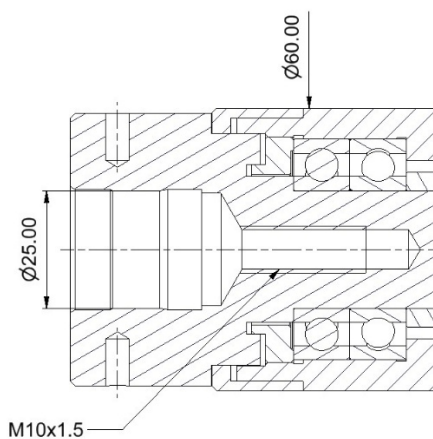
Ø150.00-H20.00-T12.00

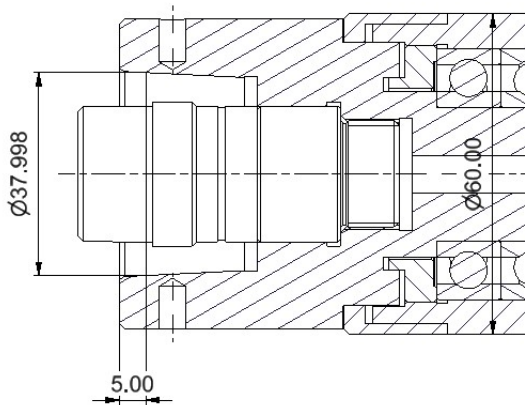


A0152

Gauge for attachment PA25

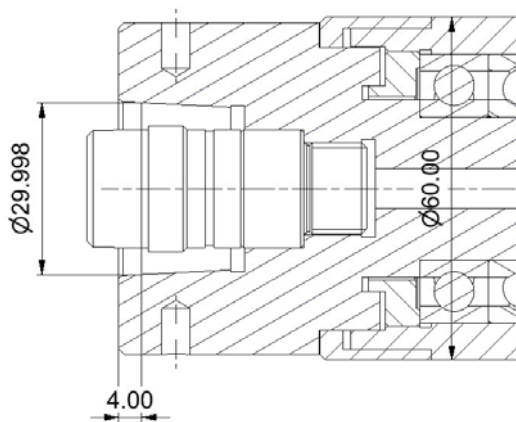
Ø150.00

**A12356**Gauge for attachment HSK-E50
Ø150.00**A12623**Gauge for attachment HSK-E40
Ø150.00**A12624**Gauge for attachment NCT50
Ø150.00**A0378**Spindle Ø60, Attachment:
PerfectArbor PA25



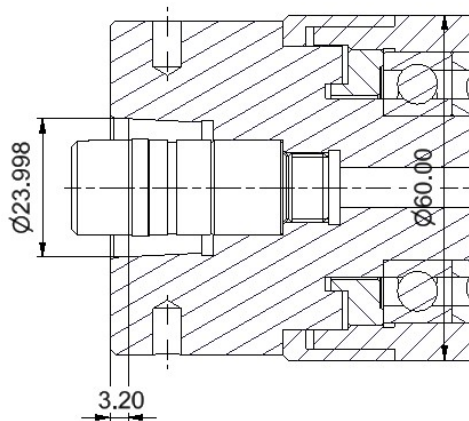
A0411

Spindle $\varnothing 60$, Attachment:
HSK-E50



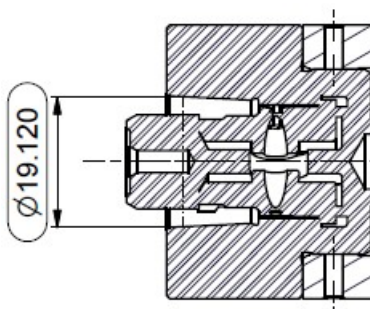
A0588

Spindle $\varnothing 60$, Attachment:
HSK-E40



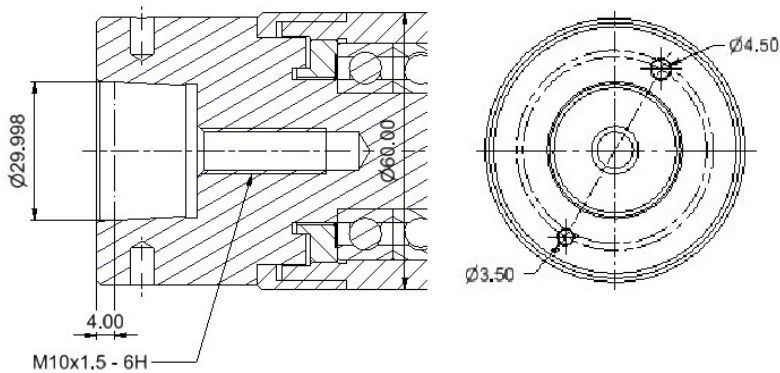
A12337

Spindle $\varnothing 60$, Attachment:
HSK-E32



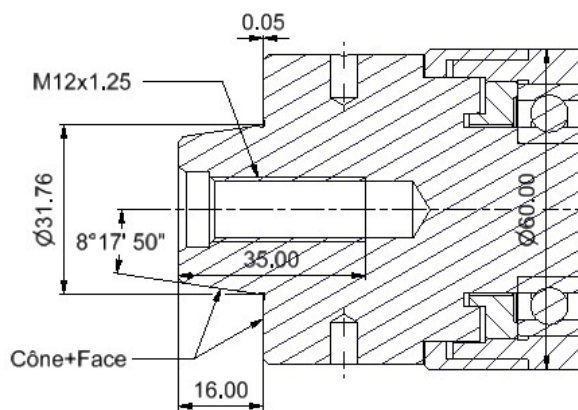
A13412

Spindle $\varnothing 60$, Attachment:
HSK-D32



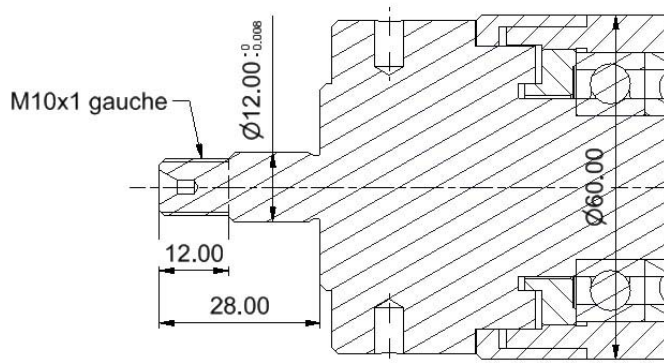
A12942

Spindle $\varnothing 60$, Attachment:
ASK-F50-M10 (ANCA CPX)



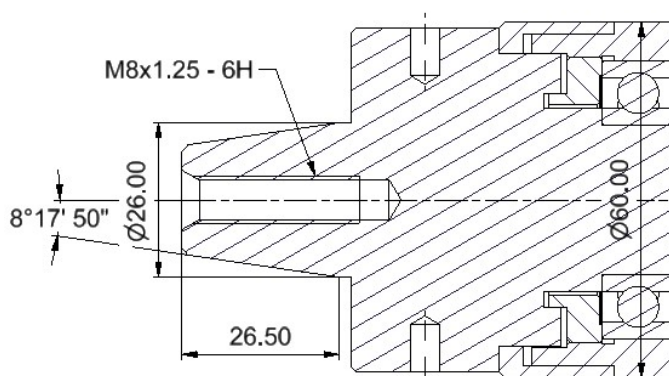
A0645

Spindle $\varnothing 60$, Attachment:
NCT50



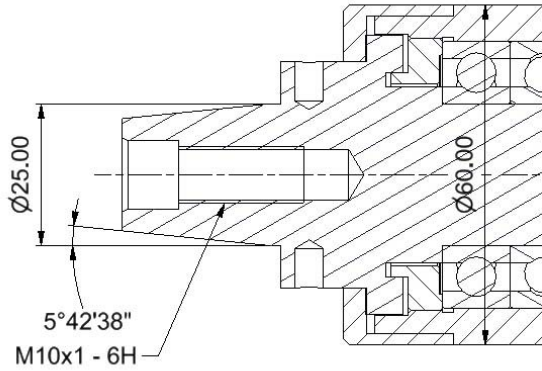
A12664

Spindle $\varnothing 60$, Attachment:
 $\varnothing 12$ -M10x1 left (Ewag WS11)



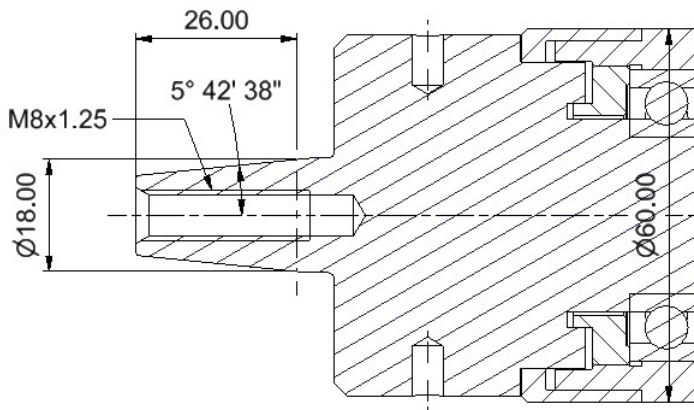
A0631

Spindle $\varnothing 60$, Attachment:
ISO30-M 8 (ANCA)



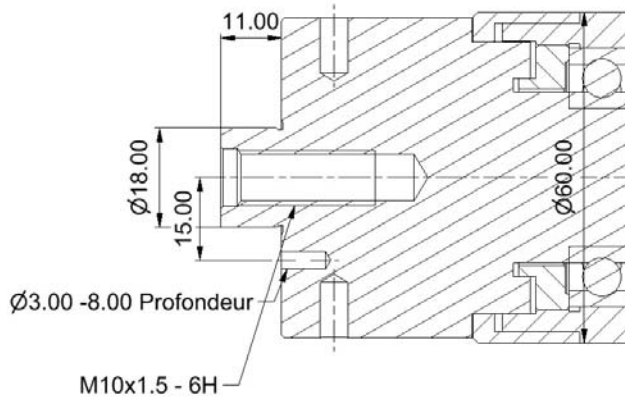
A0483

Spindle $\varnothing 60$, Attachment:
Cone $5^{\circ}42'38''$ - M10x1 (TTB)



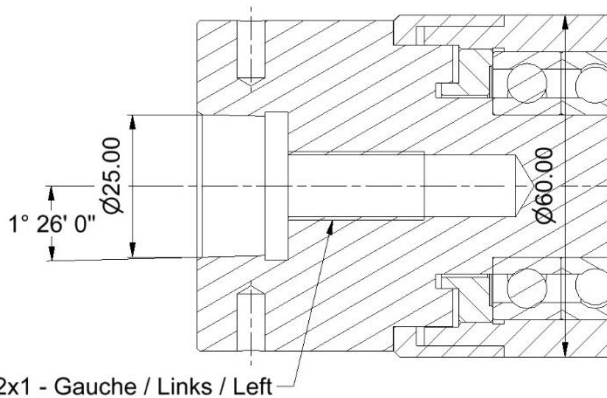
A12380

Spindle $\varnothing 60$, Attachment:
Cone $5^{\circ}42'38''$ - M 8 (Monnier+Zahner)



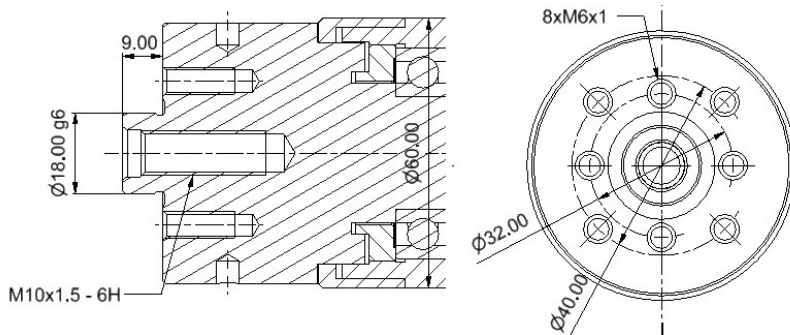
A0376

Spindle $\varnothing 60$, Attachment:
 $\varnothing 18$ - M10 (Ewag Rotoline)



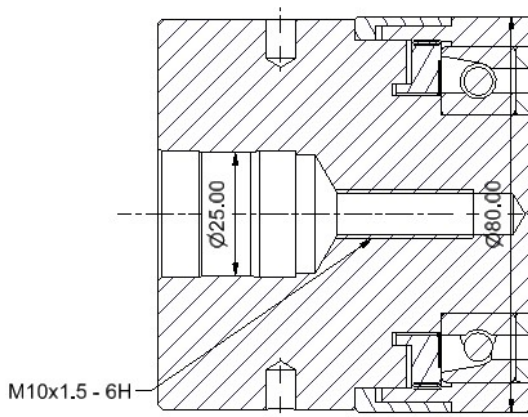
A0377

Spindle $\varnothing 60$, Attachment:
Taper $\varnothing 25$ -M12x1left



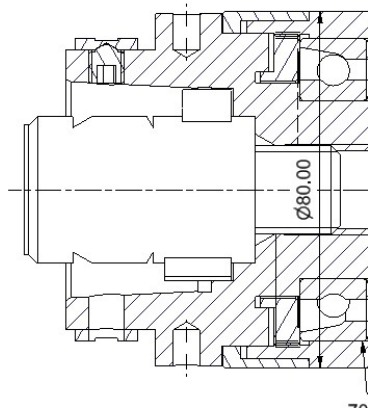
A13350

Spindle Ø60, Attachment:
Ø 18 – M10 (Ewamatic)



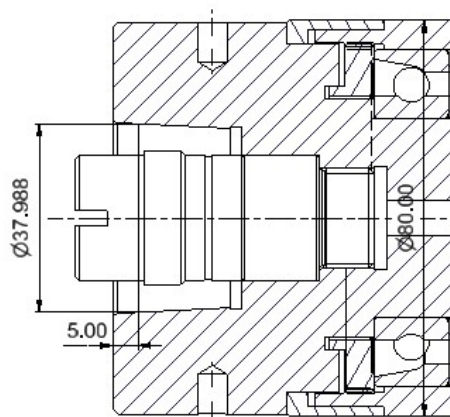
A12544

Spindle Ø80, Attachment:
PerfectArbor PA25



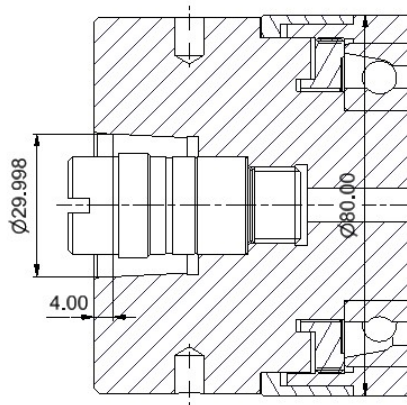
A12184

Spindle Ø80, Attachment:
HSK-C63



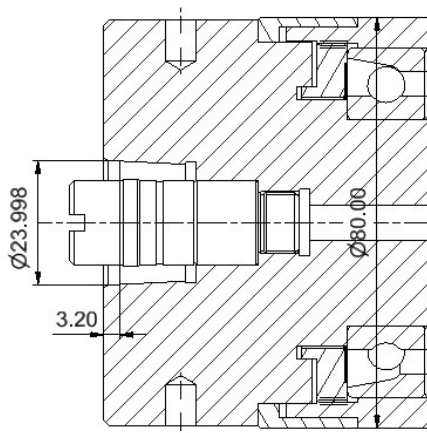
A12548

Spindle Ø80, Attachment:
HSK-E50



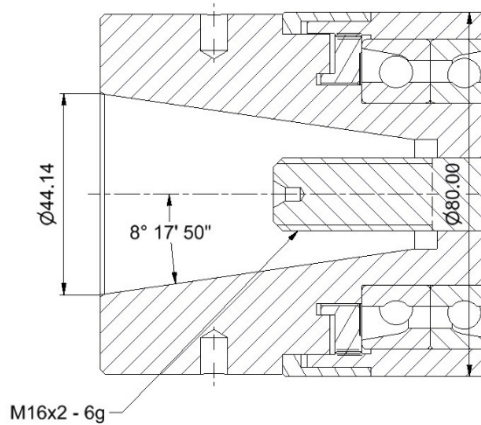
A12549

Spindle Ø80, Attachment:
HSK-E40



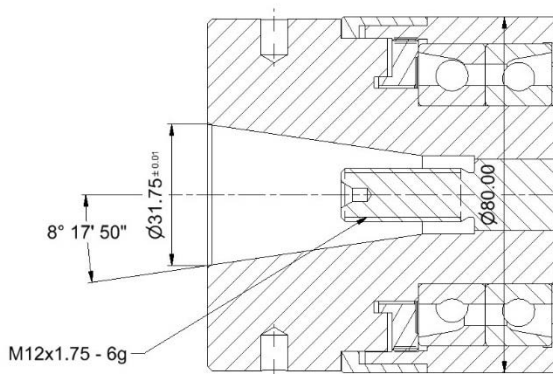
A12594

Spindle Ø80, Attachment:
HSK-E32



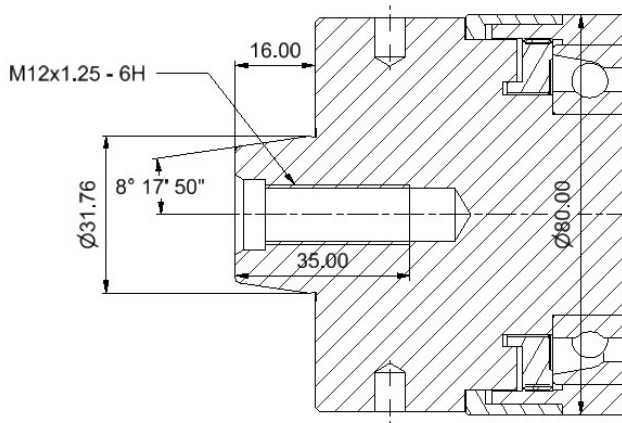
A12546

Spindle Ø80, Attachment:
BT40



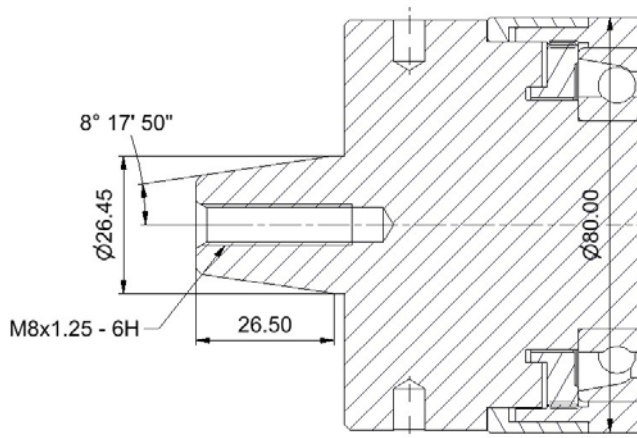
A12663

Spindle Ø80, Attachment:
BT30



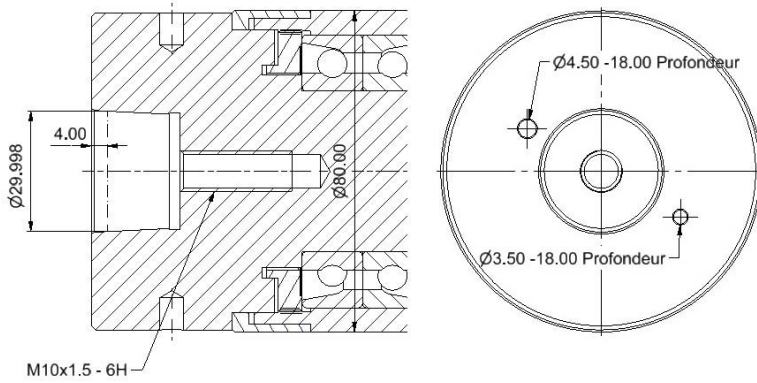
A12547

Spindle Ø80, Attachment:
NCT50



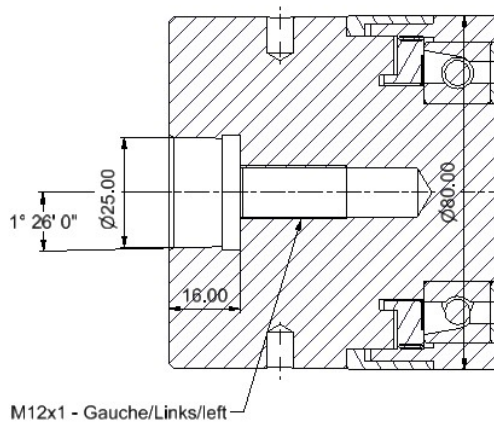
A12676

Spindle Ø80, Attachment:
ISO30-M 8 (ANCA)



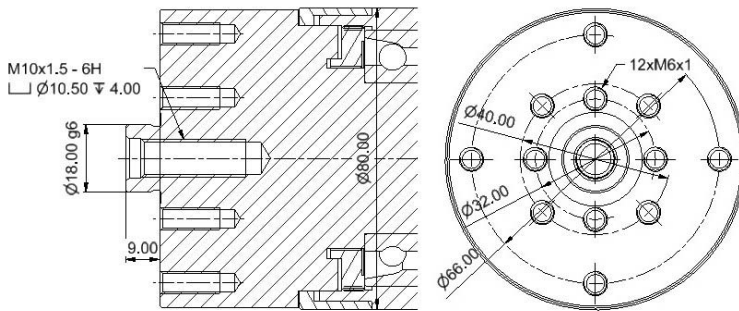
A13244

Spindle Ø80, Attachment:
ASK-F50-M10 (ANCA CPX)



A13358

Spindle Ø80, Attachment:
Taper Ø25-M12x1 left



A13345

Spindle Ø80, Attachment:
Ø 18 – M10 (Ewamatic)



A12414

Adaptator for pulley Rollomatic Z33



250-0079

Screw M8 -Left for flange wheel SiC



300-5005-01

Set window Rotolamp

**A12415**

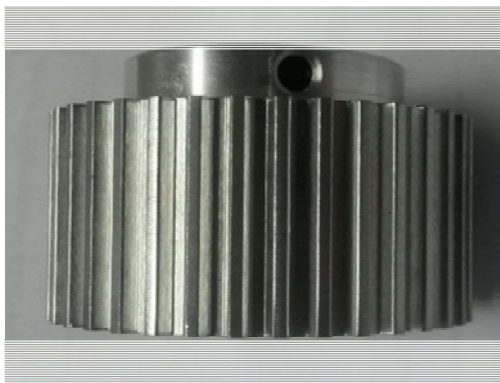
Belt 25/T5 -375mm

For option with spindle Ø60**A0420**

Belt 25/T5 -355mm

For option with spindle Ø80**250-0152**

Pulley Motor25/T5 Z15

**250-0151**

Pulley Spindle25/T5 Z36



CATRIDGE HSK

A12509 Tightening key AX32

A12336 Cartridge AX32

A12129 Tightening key AX40

A12128 Cartridge AX40

A11970 Tightening key AX50

A11969 Cartridge AX50

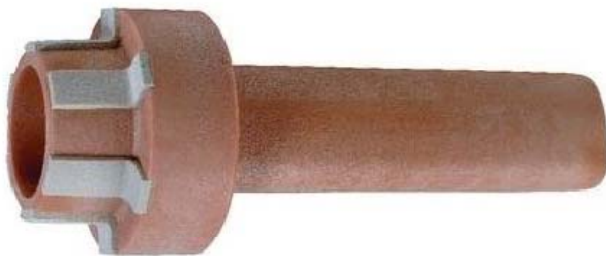


Hexagon Screwdriver

A12595 4mm for AX32

A12596 5mm for AX40

A12015 6mm AX50



Cleaner HSK

A12706 Cleaner HSK-E32

A12707 Cleaner HSK-E40

A12708 Cleaner HSK-E50



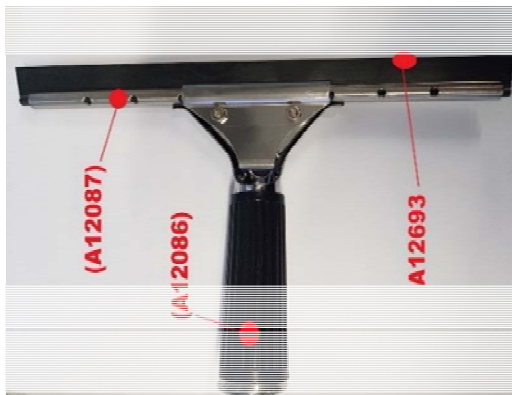
A12377

Filter paper Cellulose + polyester



A12692

Mirror 57x90cm with LED



Glass scraper

A12693 Rubber 25cm

A12086 Handgrip

A12087 Steel rule 25cm



A12136

Battery FANUC panel Power Motion IA

Article fanuc: A98L-0031-0028



A11255

Battery FANUC PM i-A Basic Unit

Article fanuc: LX98L-0031-0012



A11603

Battery 1.5V type LR20/D

Transport

A13226 Pallet in wood (only Swiss)

A13227 Crate (box) for transport