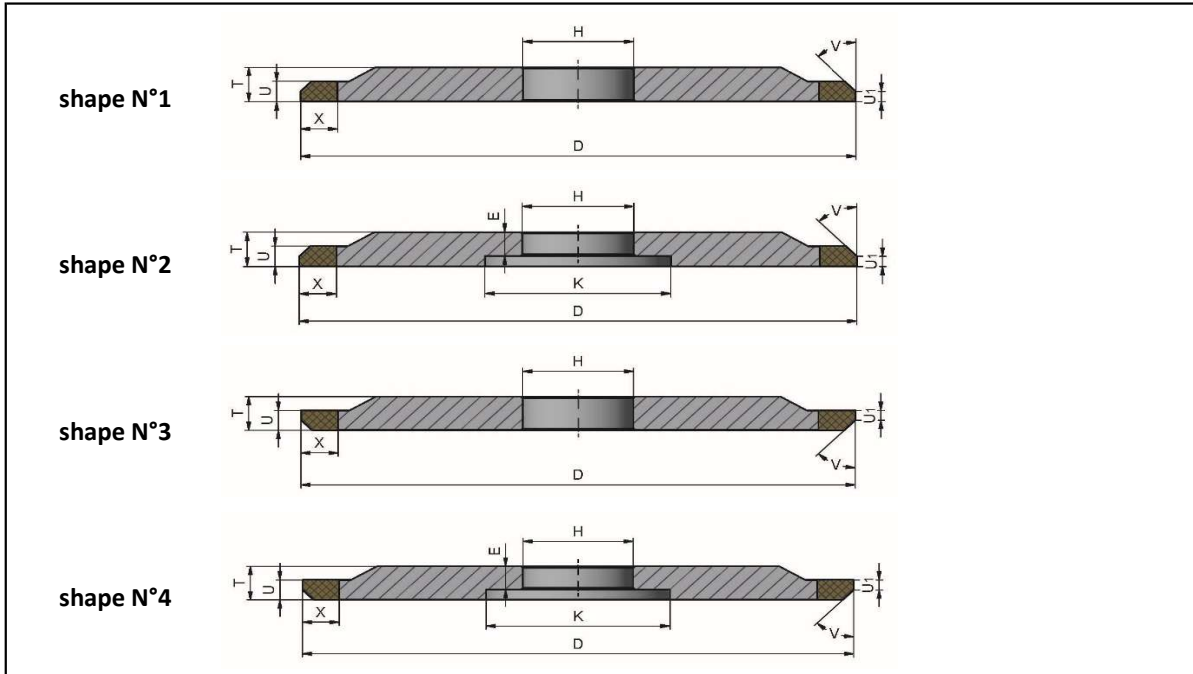
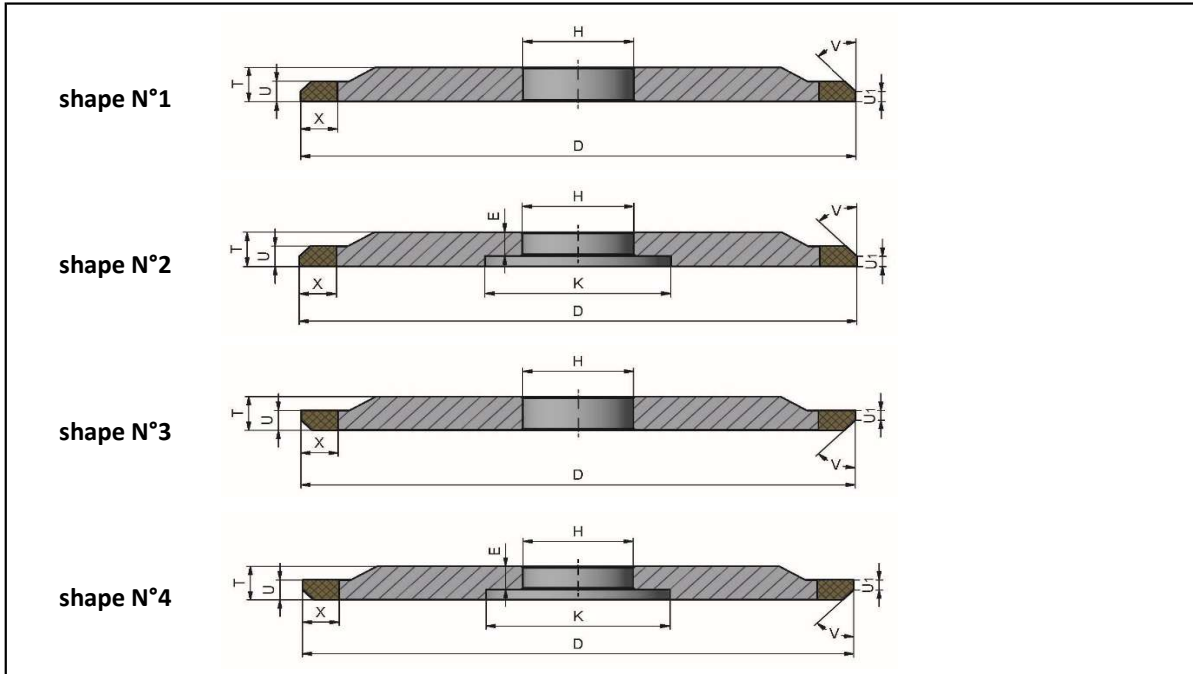


DRAWING	DIMENSIONS	BODY MATERIAL	N°
3M1-044XP	D 75-T 6-H20.00-U 2-X 8-V10-U1=1	ALU+COPPER BODY FOR POLYIMIDE	1
3M1-058SM	D 75-T 6-H25.00-U 3-X 6-V45-U1=1.8	STEEL BODY FOR METAL BOND	1
3M1-014PR	D 75-T 8-H20.00-U 4-X10-V70-U1=0.5	PRESS ALU.BODY FOR RESIN	1
3M1-057XP	D 80-T 6-H25.00-U 3-X 6-V45-U1=1.5	ALU+COPPER BODY FOR POLYIMIDE	1
3M1-006CP	D 80-T 6-H25.00-U 5-X10-V32-U1=1	COPPER BODY FOR POLYIMIDE	3
3M1-010XP	D100-T 6-H20.00-U 2-X 6-V75-U1=0.90	ALU+COPPER BODY FOR POLYIMIDE	1
3M1-034XP	D100-T 6-H20.00-U 3-X 6-V20-U1=0.50	ALU+COPPER BODY FOR POLYIMIDE	1
3M1-035XP	D100-T 6-H20.00-U 3-X 6-V20-U1=1.0	ALU+COPPER BODY FOR POLYIMIDE	1
3M1-031XP	D100-T 6-H20.00-U 3-X 6-V25-U1=0.50	ALU+COPPER BODY FOR POLYIMIDE	1
3M1-063XP	D100-T 6-H20.00-U 3-X 6-V45-U1=0.7	ALU+COPPER BODY FOR POLYIMIDE	1
3M1-060XP	D100-T 6-H20.00-U 3-X 6-V45-U1=0.9	ALU+COPPER BODY FOR POLYIMIDE	1
3M1-045XP	D100-T 6-H20.00-U 3-X 6-V45-U1=1.0	ALU+COPPER BODY FOR POLYIMIDE	1
3M1-064XP	D100-T 6-H20.00-U 3-X 6-V45-U1=1.1	ALU+COPPER BODY FOR POLYIMIDE	1
3M1-062CP	D100-T 6-H20.00-U 4-X10-V60-U1=0.55	COPPER BODY FOR POLYIMIDE	1
3M1-046XP	D100-T 6-H25.00-U 2.5-X 6-V45-U1=0.8	ALU+COPPER BODY FOR POLYIMIDE	1
3M1-055SM	D100-T 6-H25.00-U 3-X 6-V45-U1=1.8	STEEL BODY FOR METAL BOND	1
3M1-055XP	D100-T 6-H25.00-U 3-X 6-V45-U1=1.8	ALU+COPPER BODY FOR POLYIMIDE	1
3M1-069SM	D100-T 6-H25.00-U 3-X10-V45-U1=1.8	STEEL BODY FOR METAL BOND	1
3M1-003XP	D100-T 6-H32.00-U 1-X 6-V75-U1=0.15	ALU+COPPER BODY FOR POLYIMIDE	1
3M1-028XP	D100-T 8-H20.00-U 4-X 6-V50-U1=0.8	ALU+COPPER BODY FOR POLYIMIDE	3
3M1-029CP	D100-T 8-H20.00-U 6-X10-V50-U1=1.5	COPPER BODY FOR POLYIMIDE	3
3M1-016PR	D100-T 8-H25.00-U 4-X 6-V30-U1=4	PRESS ALU.BODY FOR RESIN	1
3M1-018XP	D125-T 6-H20.00-U 3-X 6-V45-U1=1	ALU+COPPER BODY FOR POLYIMIDE	1
3M1-056XP	D125-T 6-H20.00-U 3-X 6-V45-U1=1.5	ALU+COPPER BODY FOR POLYIMIDE	1
3M1-025XP	D125-T 6-H20.00-U 3-X 6-V45-U1=2	ALU+COPPER BODY FOR POLYIMIDE	1
3M1-027CP	D125-T 6-H20.00-U 4-X 6-V45-U1=1.2	COPPER BODY FOR POLYIMIDE	1
3M1-026CP	D125-T 6-H20.00-U 4-X 6-V45-U1=1.5	COPPER BODY FOR POLYIMIDE	1
3M1-019CP	D125-T 6-H20.00-U 4-X 6-V45-U1=2	COPPER BODY FOR POLYIMIDE	1
3M1-020XP	D125-T 8-H50.00-U 2-X 8-V60-U1=0.1	ALU+COPPER BODY FOR POLYIMIDE	1
3M1-047XP	D150-T 8-H20.00-U 1.5-X 6-V45-U1=0.3	ALU+COPPER BODY FOR POLYIMIDE	1



DRAWING	DIMENSIONS	BODY MATERIAL	N°
3M1-033XP	D150-T 8-H20.00-U 3-X 6-V45-U1=1	ALU+COPPER BODY FOR POLYIMIDE	1
3M1-065XP	D150-T 8-H20.00-U 3-X 6-V45-U1=1.1	ALU+COPPER BODY FOR POLYIMIDE	1
3M1-039XP	D150-T 8-H20.00-U 3-X 6-V45-U1=2.5	ALU+COPPER BODY FOR POLYIMIDE	3
3M1-061SM	D150-T 8-H20.00-U 3-X10-V75-U1=2.3	STEEL BODY FOR METAL BOND	1
3M1-050XP	D150-T 8-H20.00-U 4-X10-V45-U1=0.8	ALU+COPPER BODY FOR POLYIMIDE	3
3M1-022XP	D150-T 8-H20.00-U 4-X10-V45-U1=1	ALU+COPPER BODY FOR POLYIMIDE	1
3M1-059XP	D150-T 8-H20.00-U 4-X10-V45-U1=1.9	ALU+COPPER BODY FOR POLYIMIDE	1
3M1-040XP	D150-T 8-H20.00-U 5-X 6-V45-U1=3.1	ALU+COPPER BODY FOR POLYIMIDE	3
3M1-049XP	D150-T 8-H31.75-U 2-X 6-V50-U1=1	ALU+COPPER BODY FOR POLYIMIDE	1
3M1-041SM	D150-T 8-H31.75-U 4-X 6-V35-U1=0.5	STEEL BODY FOR METAL BOND	1
3M1-036CP	D150-T 8-H31.75-U 6-X10-V30-U1=1.5	COPPER BODY FOR POLYIMIDE	1
3M1-002XP	D150-T 8-H32.00-U 1.5 -X 6-V75-U1=0.15	ALU+COPPER BODY FOR POLYIMIDE	1
3M1-032XP	D150-T 8-H32.00-U 4-X10-V45-U1=1	ALU+COPPER BODY FOR POLYIMIDE	1
3M1-004XP	D150-T 8-H40.00-U 3-X 6-V45-U1=2.5	ALU+COPPER BODY FOR POLYIMIDE	3
3M1-005XP	D150-T 8-H40.00-U 5-X 6-V45-U1=3.1	ALU+COPPER BODY FOR POLYIMIDE	3
3M1-011XP	D150-T 8-H50.00-U 2-X 6-V45-U1=0.6	ALU+COPPER BODY FOR POLYIMIDE	1
3M1-008XP	D150-T 8-H50.00-U 2-X 6-V45-U1=1	ALU+COPPER BODY FOR POLYIMIDE	1
3M1-038XP	D150-T 8-H50.00-U 2-X 6-V45-U1=1.2	ALU+COPPER BODY FOR POLYIMIDE	1
3M1-007XP	D150-T 8-H50.00-U 2-X 6-V45-U1=1.3	ALU+COPPER BODY FOR POLYIMIDE	1
3M1-009XP	D150-T 8-H50.00-U 3-X 6-V45-U1=1	ALU+COPPER BODY FOR POLYIMIDE	1
3M1-052XP	D150-T 8-H50.00-U 3-X 6-V45-U1=1.8	ALU+COPPER BODY FOR POLYIMIDE	1
3M1-051XP	D150-T 8-H50.00-U 5-X10-V45-U1=1.4	ALU+COPPER BODY FOR POLYIMIDE	1
3M1-054SM	D150-T10-H20.00-U 5-X10-V45-U1=1	STEEL BODY FOR METAL BOND	3
3M1-023SM	D150-T10-H31.75-U 6-X 6-V30-U1=1.5	STEEL BODY FOR METAL BOND	3
3M1-068SM	D150-T20-H31.75-U 3-X 6-V45-U1=1-E12-K62	STEEL BODY FOR METAL BOND	4
3M1-066SM	D150-T20-H31.75-U 4-X 6-V45-U1=3-E12-K62	STEEL BODY FOR METAL BOND	4
3M1-030PR	D200-T10-H20.00-U 4-X 6-V45-U1=2	PRESS ALU.BODY FOR RESIN	3
3M1-048SM	D200-T10-H20.00-U 6-X 6-V45-U1=1	STEEL BODY FOR METAL BOND	1
3M1-042SM	D200-T10-H31.75-U 4-X 6-V35-U1=0.5	STEEL BODY FOR METAL BOND	1
3M1-042XP	D200-T10-H31.75-U 4-X 6-V35-U1=0.5	ALU+COPPER BODY FOR POLYIMIDE	1



DRAWING	DIMENSIONS	BODY MATERIAL	N°
3M1-053SM	D200-T10-H31.75-U 6-X 6-V45-U1=1	STEEL BODY FOR METAL BOND	3
3M1-012SM	D200-T20-H31.75-U 5-X 6-V57-U1=2-E12-K62	STEEL BODY FOR METAL BOND	2
3M1-024PR	D200-T20-H31.75-U 6-X10-V45-U1=1	PRESS ALU.BODY FOR RESIN	1
3M1-043PR	D200-T20-H31.75-U 6-X10-V45-U1=1	PRESS ALU.BODY FOR RESIN	3
3M1-017PR	D200-T20-H31.75-U 7-X 6-V23-U1=4-E12-K62	PRESS ALU.BODY FOR RESIN	4
3M1-001PR	D200-T20-H31.75-U 8-X 6-V45-U1=5-E12-K62	PRESS ALU.BODY FOR RESIN	4
3M1-067SM	D250-T20-H31.75-U 4-X 6-V45-U1=3-E12-K62	STEEL BODY FOR METAL BOND	4
3M1-037SM	D250-T20-H31.75-U 5-X 6-V45-U1=2-E12-K62	STEEL BODY FOR METAL BOND	2
3M1-013SM	D250-T20-H31.75-U 6-X 6-V25-U1=1-E12-K62	STEEL BODY FOR METAL BOND	2
3M1-015XM	D250-T20-H50.80-U 6.5-X 6-V20-U1=3.50	STEEL+ALU BODY FOR METAL BOND	1
3M1-021XM	D250-T20-H50.80-U 6.5-X 6-V30-U1=1	STEEL+ALU BODY FOR METAL BOND	1