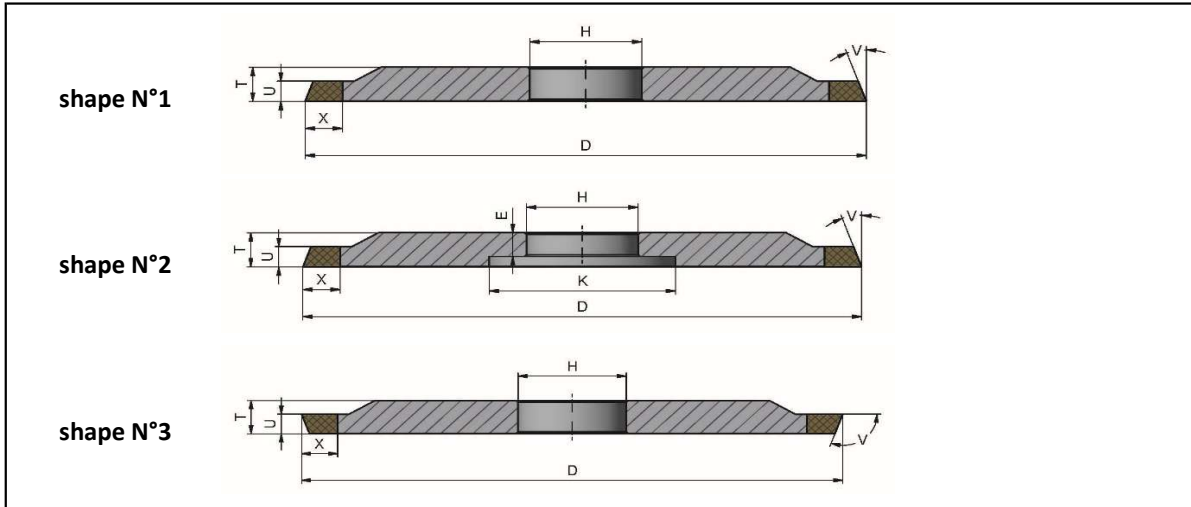
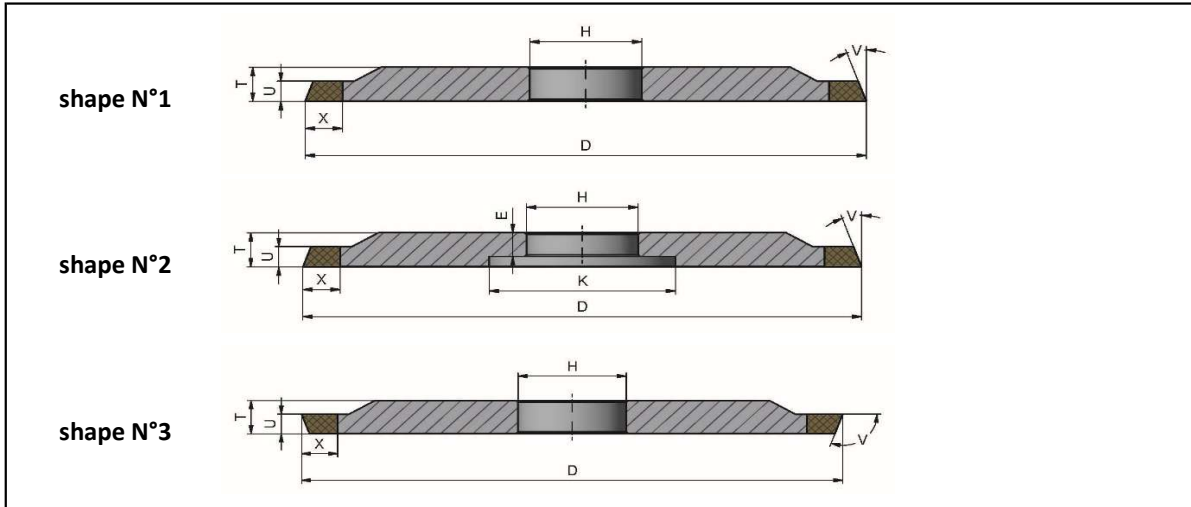


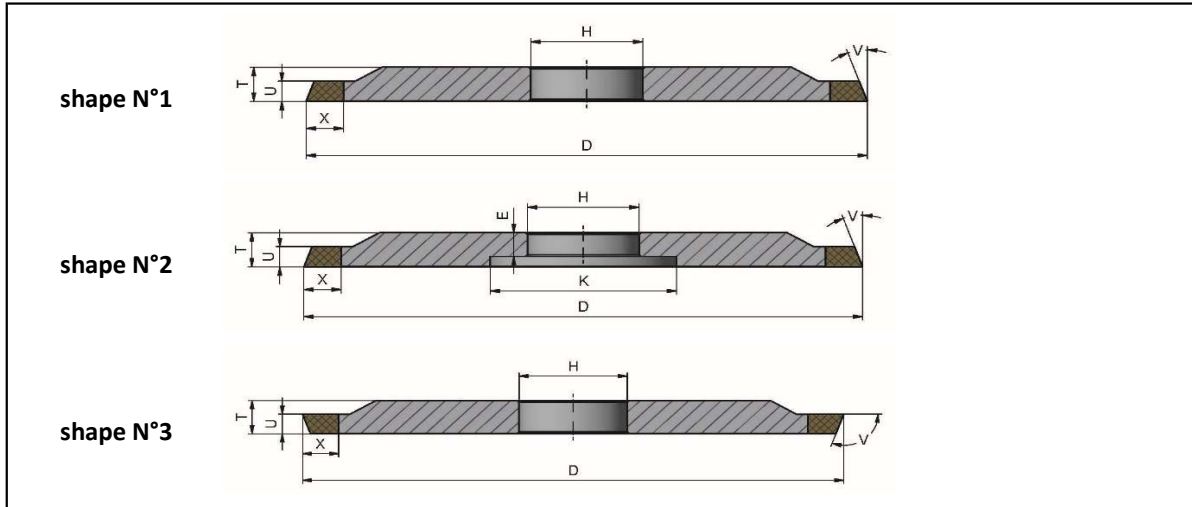
DRAWING	DIMENSIONS	BODY MATERIAL	N°
3B1-116XP	D 50-T 6-H10.00-U 3-X 6-V45	ALU+COPPER BODY FOR POLYIMIDE	1
3B1-409XP	D 50-T 6-H20.00-U 2-X 6-V20	ALU+COPPER BODY FOR POLYIMIDE	1
3B1-119XP	D 50-T 6-H20.00-U 2-X 6-V30	ALU+COPPER BODY FOR POLYIMIDE	1
3B1-336XP	D 50-T 6-H20.00-U 3-X 6-V45	ALU+COPPER BODY FOR POLYIMIDE	1
3B1-203CP	D 50-T 6-H20.00-U 5-X 6-V45	COPPER BODY FOR POLYIMIDE	1
3B1-285CP	D 75-T 3-H20.00-U 2-X 8-V50	COPPER BODY FOR POLYIMIDE	1
3B1-184XP	D 75-T 6-H10.00-U 2-X 8-V30	ALU+COPPER BODY FOR POLYIMIDE	1
3B1-098XP	D 75-T 6-H10.00-U 3-X 8-V135	ALU+COPPER BODY FOR POLYIMIDE	3
3B1-351XP	D 75-T 6-H10.00-U 3-X 8-V60	ALU+COPPER BODY FOR POLYIMIDE	1
3B1-365XP	D 75-T 6-H20.00-U 2-X 8-V10	ALU+COPPER BODY FOR POLYIMIDE	1
3B1-274XP	D 75-T 6-H20.00-U 2-X 8-V20	ALU+COPPER BODY FOR POLYIMIDE	1
3B1-366XP	D 75-T 6-H20.00-U 2-X 8-V30	ALU+COPPER BODY FOR POLYIMIDE	1
3B1-107XP	D 75-T 6-H20.00-U 2-X 8-V45	ALU+COPPER BODY FOR POLYIMIDE	1
3B1-329XP	D 75-T 6-H20.00-U 2-X 8-V60	ALU+COPPER BODY FOR POLYIMIDE	1
3B1-323XP	D 75-T 6-H20.00-U 2-X 8-V70	ALU+COPPER BODY FOR POLYIMIDE	1
3B1-330XP	D 75-T 6-H20.00-U 2-X 8-V75	ALU+COPPER BODY FOR POLYIMIDE	1
3B1-345XP	D 75-T 6-H20.00-U 3-X 8-V10	ALU+COPPER BODY FOR POLYIMIDE	1
3B1-387XP	D 75-T 6-H20.00-U 3-X 8-V100	ALU+COPPER BODY FOR POLYIMIDE	3
3B1-275XP	D 75-T 6-H20.00-U 3-X 8-V20	ALU+COPPER BODY FOR POLYIMIDE	1
3B1-291XP	D 75-T 6-H20.00-U 3-X 8-V30	ALU+COPPER BODY FOR POLYIMIDE	1
3B1-106XP	D 75-T 6-H20.00-U 3-X 8-V45	ALU+COPPER BODY FOR POLYIMIDE	1
3B1-350CP	D 75-T 6-H20.00-U 4-X 8-V10	COPPER BODY FOR POLYIMIDE	1
3B1-296CP	D 75-T 6-H20.00-U 4-X 8-V20	COPPER BODY FOR POLYIMIDE	1
3B1-394CP	D 75-T 6-H20.00-U 4-X 8-V30	COPPER BODY FOR POLYIMIDE	1
3B1-110CP	D 75-T 6-H20.00-U 4-X 8-V45	COPPER BODY FOR POLYIMIDE	1
3B1-337CP	D 75-T 6-H20.00-U 5-X 8-V20	COPPER BODY FOR POLYIMIDE	1
3B1-258XP	D 75-T 6-H25.00-U 3-X 8-V20	ALU+COPPER BODY FOR POLYIMIDE	1
3B1-109XP	D 75-T 6-H25.00-U 3-X 8-V30	ALU+COPPER BODY FOR POLYIMIDE	1
3B1-108XP	D 75-T 6-H25.00-U 3-X 8-V45	ALU+COPPER BODY FOR POLYIMIDE	1
3B1-154CP	D 75-T 6-H25.00-U 4-X 8-V120	COPPER BODY FOR POLYIMIDE	3
3B1-153CP	D 75-T 6-H25.00-U 4-X 8-V135	COPPER BODY FOR POLYIMIDE	3
3B1-413CP	D 75-T 6-H25.00-U 4-X 8-V20	COPPER BODY FOR POLYIMIDE	1
3B1-175CP	D 75-T 6-H25.00-U 4-X 8-V45	COPPER BODY FOR POLYIMIDE	1
3B1-246XP	D 75-T 6-H31.75-U 2-X 8-V45	ALU+COPPER BODY FOR POLYIMIDE	1



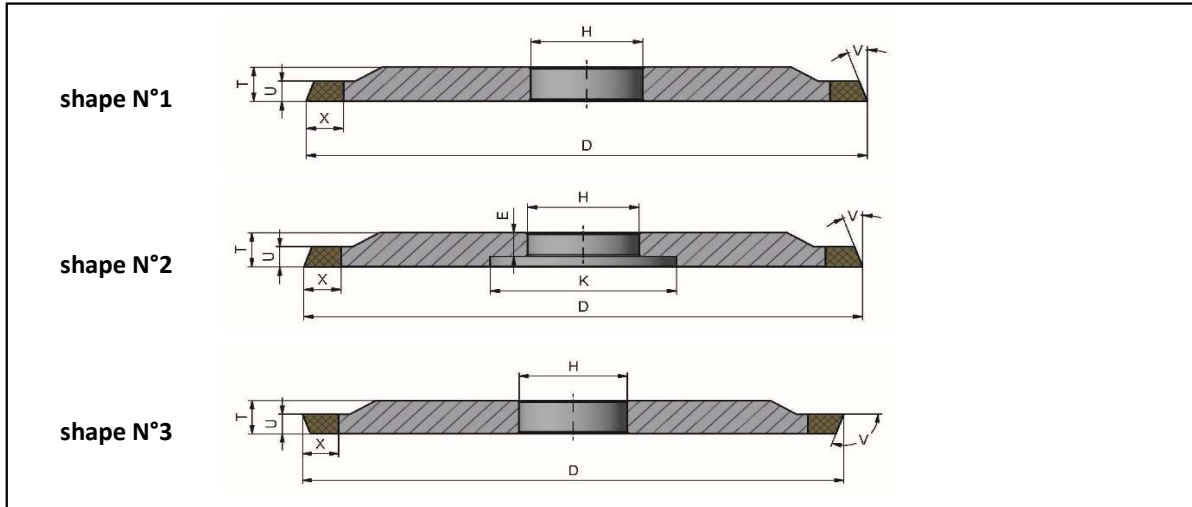
DRAWING	DIMENSIONS	BODY MATERIAL	N°
3B1-401XP	D 75-T 6-H31.75-U 3-X 8-V20	ALU+COPPER BODY FOR POLYIMIDE	1
3B1-149CP	D 75-T 6-H31.75-U 4-X 8-V20	COPPER BODY FOR POLYIMIDE	1
3B1-395CP	D 75-T 6-H31.75-U 4-X 8-V45	COPPER BODY FOR POLYIMIDE	1
3B1-192CP	D 75-T 6-H31.75-U 4-X 8-Vspecial	COPPER BODY FOR POLYIMIDE	1
3B1-193CP	D 75-T 6-H31.75-U 4-X 8-Vspecial	COPPER BODY FOR POLYIMIDE	1
3B1-194CP	D 75-T 6-H31.75-U 4-X 8-Vspecial	COPPER BODY FOR POLYIMIDE	1
3B1-195CP	D 75-T 6-H31.75-U 4-X 8-Vspecial	COPPER BODY FOR POLYIMIDE	1
3B1-247XP	D 75-T 6-H32.00-U 2-X 8-V75	ALU+COPPER BODY FOR POLYIMIDE	1
3B1-135XP	D 75-T 6-H35.00-U 2-X 8-V45	ALU+COPPER BODY FOR POLYIMIDE	1
3B1-232XP	D 75-T 6-H35.00-U 3-X 8-V45	ALU+COPPER BODY FOR POLYIMIDE	1
3B1-280CP	D 75-T 8-H20.00-U 6-X 8-V20	COPPER BODY FOR POLYIMIDE	1
3B1-397XP	D 80-T 6-H20.00-U 2-X10-V110	ALU+COPPER BODY FOR POLYIMIDE	3
3B1-315XP	D 80-T 6-H20.00-U 2-X10-V20	ALU+COPPER BODY FOR POLYIMIDE	1
3B1-157XP	D 80-T 6-H20.00-U 2-X10-V30	ALU+COPPER BODY FOR POLYIMIDE	1
3B1-226XP	D 80-T 6-H20.00-U 2-X10-V45	ALU+COPPER BODY FOR POLYIMIDE	1
3B1-228XP	D 80-T 6-H20.00-U 3-X10-V110	ALU+COPPER BODY FOR POLYIMIDE	3
3B1-303XP	D 80-T 6-H20.00-U 3-X10-V20	ALU+COPPER BODY FOR POLYIMIDE	1
3B1-220XP	D 80-T 6-H20.00-U 3-X10-V30	ALU+COPPER BODY FOR POLYIMIDE	1
3B1-249XP	D 80-T 6-H20.00-U 3-X10-V45	ALU+COPPER BODY FOR POLYIMIDE	1
3B1-321CP	D 80-T 6-H20.00-U 4-X10-V45	COPPER BODY FOR POLYIMIDE	1
3B1-410CP	D 80-T 6-H20.00-U 5-X10-V20	COPPER BODY FOR POLYIMIDE	1
3B1-259CP	D 80-T 6-H20.00-U 5-X10-V45	COPPER BODY FOR POLYIMIDE	1
3B1-378XP	D 80-T 6-H25.00-U 2-X10-V110	ALU+COPPER BODY FOR POLYIMIDE	3
3B1-373XP	D 80-T 6-H25.00-U 2-X10-V20	ALU+COPPER BODY FOR POLYIMIDE	1
3B1-141XP	D 80-T 6-H25.00-U 2-X10-V30	ALU+COPPER BODY FOR POLYIMIDE	1
3B1-379XP	D 80-T 6-H25.00-U 2-X10-V45	ALU+COPPER BODY FOR POLYIMIDE	1
3B1-299XP	D 80-T 6-H25.00-U 3-X10-V110	ALU+COPPER BODY FOR POLYIMIDE	3
3B1-176XP	D 80-T 6-H25.00-U 3-X10-V20	ALU+COPPER BODY FOR POLYIMIDE	1
3B1-142XP	D 80-T 6-H25.00-U 3-X10-V30	ALU+COPPER BODY FOR POLYIMIDE	1
3B1-112XP	D 80-T 6-H25.00-U 3-X10-V45	ALU+COPPER BODY FOR POLYIMIDE	1
3B1-255CP	D 80-T 6-H25.00-U 4-X10-V135	COPPER BODY FOR POLYIMIDE	3
3B1-256CP	D 80-T 6-H25.00-U 4-X10-V150	COPPER BODY FOR POLYIMIDE	3
3B1-358CP	D 80-T 6-H25.00-U 4-X10-V20	COPPER BODY FOR POLYIMIDE	1
3B1-182CP	D 80-T 6-H25.00-U 4-X10-V30	COPPER BODY FOR POLYIMIDE	1



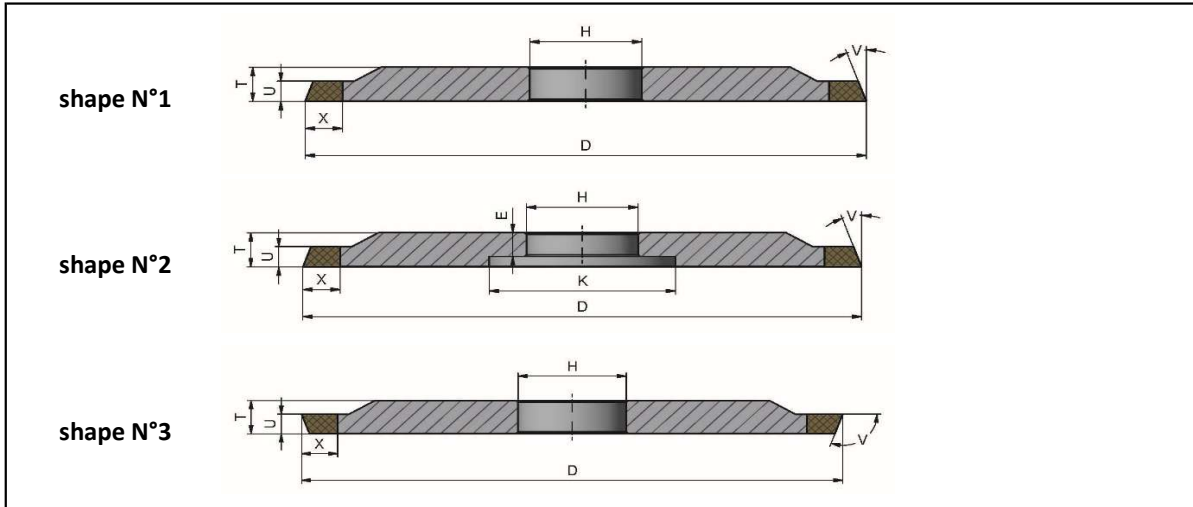
DRAWING	DIMENSIONS	BODY MATERIAL	N°
3B1-091CP	D 80-T 6-H25.00-U 5-X10-V30	COPPER BODY FOR POLYIMIDE	1
3B1-158XP	D 80-T 6-H31.75-U 2-X10-V20	ALU+COPPER BODY FOR POLYIMIDE	1
3B1-159XP	D 80-T 6-H31.75-U 2-X10-V30	ALU+COPPER BODY FOR POLYIMIDE	1
3B1-243CP	D 80-T 6-H31.75-U 4-X10-V20	COPPER BODY FOR POLYIMIDE	1
3B1-197XP	D 80-T 6-H32.00-U 2-X10-V45	ALU+COPPER BODY FOR POLYIMIDE	1
3B1-181XP	D 80-T 6-H32.00-U 2-X10-V75	ALU+COPPER BODY FOR POLYIMIDE	1
3B1-361CP	D 80-T 6-H32.00-U 4-X10-V45	COPPER BODY FOR POLYIMIDE	1
3B1-092XP	D 80-T 6-H35.00-U 3-X10-V45	ALU+COPPER BODY FOR POLYIMIDE	1
3B1-204CP	D 80-T 6-H35.00-U 4-X10-V30	COPPER BODY FOR POLYIMIDE	1
3B1-223CP	D 80-T 6-H35.00-U 4-X10-V45	COPPER BODY FOR POLYIMIDE	1
3B1-172XP	D 80-T 6-H40.00-U 2-X 6-V95	ALU+COPPER BODY FOR POLYIMIDE	1
3B1-162CP	D100-T 4-H20.00-U 2-X 8-V15	COPPER BODY FOR POLYIMIDE	1
3B1-163CP	D100-T 4-H20.00-U 3-X 8-V15	COPPER BODY FOR POLYIMIDE	1
3B1-082XP	D100-T 6 -H10.00-U 2-X 8-V45	ALU+COPPER BODY FOR POLYIMIDE	1
3B1-093XP	D100-T 6 -H10.00-U 3-X 8-V110	ALU+COPPER BODY FOR POLYIMIDE	3
3B1-058XP	D100-T 6 -H10.00-U 3-X 8-V20	ALU+COPPER BODY FOR POLYIMIDE	1
3B1-231CP	D100-T 6 -H10.00-U 4-X 8-V20	COPPER BODY FOR POLYIMIDE	1
3B1-286XP	D100-T 6 -H15.00-U 3-X 8-V45	ALU+COPPER BODY FOR POLYIMIDE	1
3B1-402XP	D100-T 6 -H20.00-U 2-X 8-V10	ALU+COPPER BODY FOR POLYIMIDE	1
3B1-281XP	D100-T 6 -H20.00-U 2-X 8-V110	ALU+COPPER BODY FOR POLYIMIDE	3
3B1-038XP	D100-T 6 -H20.00-U 2-X 8-V120	ALU+COPPER BODY FOR POLYIMIDE	3
3B1-225XP	D100-T 6 -H20.00-U 2-X 8-V15	ALU+COPPER BODY FOR POLYIMIDE	1
3B1-354XP	D100-T 6 -H20.00-U 2-X 8-V20	ALU+COPPER BODY FOR POLYIMIDE	1
3B1-035XP	D100-T 6 -H20.00-U 2-X 8-V30	ALU+COPPER BODY FOR POLYIMIDE	1
3B1-104XP	D100-T 6 -H20.00-U 2-X 8-V45	ALU+COPPER BODY FOR POLYIMIDE	1
3B1-165XP	D100-T 6 -H20.00-U 2-X 8-V55	ALU+COPPER BODY FOR POLYIMIDE	1
3B1-289XP	D100-T 6 -H20.00-U 3-X 8-V10	ALU+COPPER BODY FOR POLYIMIDE	1
3B1-218XP	D100-T 6 -H20.00-U 3-X 8-V100	ALU+COPPER BODY FOR POLYIMIDE	3
3B1-295XP	D100-T 6 -H20.00-U 3-X 8-V110	ALU+COPPER BODY FOR POLYIMIDE	3
3B1-282XP	D100-T 6 -H20.00-U 3-X 8-V110	ALU+COPPER BODY FOR POLYIMIDE	3
3B1-064XP	D100-T 6 -H20.00-U 3-X 8-V20	ALU+COPPER BODY FOR POLYIMIDE	1
3B1-034XP	D100-T 6 -H20.00-U 3-X 8-V30	ALU+COPPER BODY FOR POLYIMIDE	1
3B1-105XP	D100-T 6 -H20.00-U 3-X 8-V45	ALU+COPPER BODY FOR POLYIMIDE	1
3B1-377XP	D100-T 6 -H20.00-U 3-X10-V60	ALU+COPPER BODY FOR POLYIMIDE	1



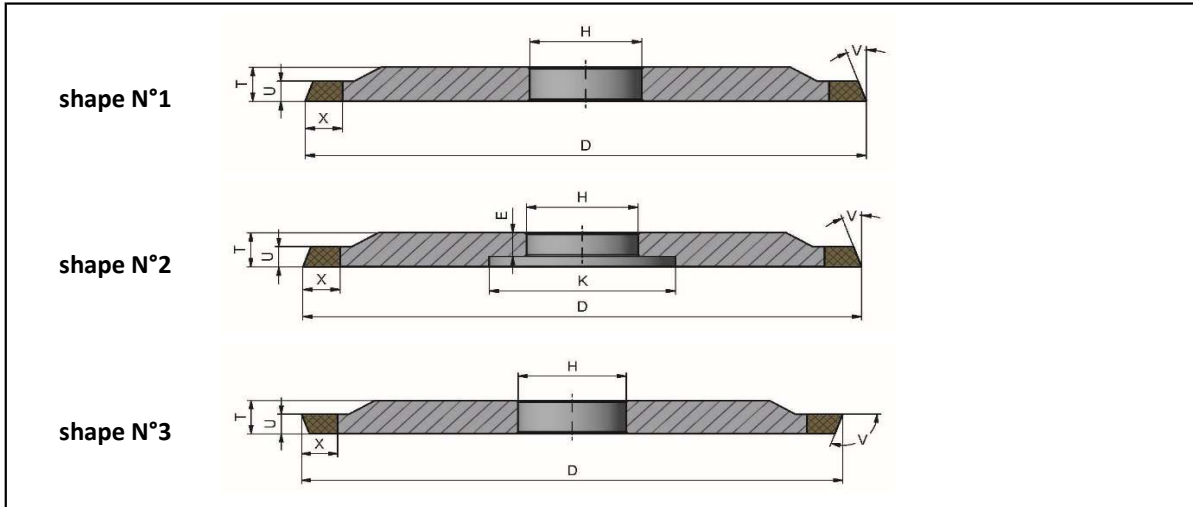
DRAWING	DIMENSIONS	BODY MATERIAL	N°
3B1-411XP	D100-T 6 -H20.00-U 3-X10-V65	ALU+COPPER BODY FOR POLYIMIDE	1
3B1-125SM	D100-T 6 -H20.00-U 3-X10-V70	STEEL BODY FOR METAL BOND	1
3B1-125XP	D100-T 6 -H20.00-U 3-X10-V70	ALU+COPPER BODY FOR POLYIMIDE	1
3B1-349CP	D100-T 6 -H20.00-U 4-X 8-V10	COPPER BODY FOR POLYIMIDE	1
3B1-283CP	D100-T 6 -H20.00-U 4-X 8-V110	COPPER BODY FOR POLYIMIDE	3
3B1-164CP	D100-T 6 -H20.00-U 4-X 8-V20	COPPER BODY FOR POLYIMIDE	1
3B1-036CP	D100-T 6 -H20.00-U 4-X 8-V30	COPPER BODY FOR POLYIMIDE	1
3B1-099CP	D100-T 6 -H20.00-U 4-X10-V45	COPPER BODY FOR POLYIMIDE	1
3B1-362CP	D100-T 6 -H20.00-U 5-X 8-V10	COPPER BODY FOR POLYIMIDE	1
3B1-284CP	D100-T 6 -H20.00-U 5-X 8-V110	COPPER BODY FOR POLYIMIDE	3
3B1-251CP	D100-T 6 -H20.00-U 5-X 8-V20	COPPER BODY FOR POLYIMIDE	1
3B1-037CP	D100-T 6 -H20.00-U 5-X 8-V30	COPPER BODY FOR POLYIMIDE	1
3B1-233CP	D100-T 6 -H20.00-U 5-X10-V45	COPPER BODY FOR POLYIMIDE	1
3B1-065XP	D100-T 6 -H25.00-U 1.5-X 6-V73	ALU+COPPER BODY FOR POLYIMIDE	1
3B1-276XP	D100-T 6 -H25.00-U 2-X 8-V10	ALU+COPPER BODY FOR POLYIMIDE	1
3B1-013XP	D100-T 6 -H25.00-U 2-X 8-V110	ALU+COPPER BODY FOR POLYIMIDE	3
3B1-277XP	D100-T 6 -H25.00-U 2-X 8-V15	ALU+COPPER BODY FOR POLYIMIDE	1
3B1-174XP	D100-T 6 -H25.00-U 2-X 8-V20	ALU+COPPER BODY FOR POLYIMIDE	1
3B1-012XP	D100-T 6 -H25.00-U 2-X 8-V30	ALU+COPPER BODY FOR POLYIMIDE	1
3B1-004XP	D100-T 6 -H25.00-U 2-X 8-V45	ALU+COPPER BODY FOR POLYIMIDE	1
3B1-278XP	D100-T 6 -H25.00-U 3-X 8-V10	ALU+COPPER BODY FOR POLYIMIDE	1
3B1-094XP	D100-T 6 -H25.00-U 3-X 8-V100	ALU+COPPER BODY FOR POLYIMIDE	3
3B1-014XP	D100-T 6 -H25.00-U 3-X 8-V105	ALU+COPPER BODY FOR POLYIMIDE	3
3B1-075XP	D100-T 6 -H25.00-U 3-X 8-V110	ALU+COPPER BODY FOR POLYIMIDE	3
3B1-396XP	D100-T 6 -H25.00-U 3-X 8-V120	ALU+COPPER BODY FOR POLYIMIDE	3
3B1-060XP	D100-T 6 -H25.00-U 3-X 8-V20	ALU+COPPER BODY FOR POLYIMIDE	1
3B1-001XP	D100-T 6 -H25.00-U 3-X 8-V30	ALU+COPPER BODY FOR POLYIMIDE	1
3B1-005XP	D100-T 6 -H25.00-U 3-X 8-V45	ALU+COPPER BODY FOR POLYIMIDE	1
3B1-200XP	D100-T 6 -H25.00-U 3-X10-V45	ALU+COPPER BODY FOR POLYIMIDE	1
3B1-244XP	D100-T 6 -H25.00-U 3-X10-V60	ALU+COPPER BODY FOR POLYIMIDE	1
3B1-341XP	D100-T 6 -H25.00-U 3-X10-V65	ALU+COPPER BODY FOR POLYIMIDE	1
3B1-348CP	D100-T 6 -H25.00-U 4-X 8-V10	COPPER BODY FOR POLYIMIDE	1
3B1-015CP	D100-T 6 -H25.00-U 4-X 8-V105	COPPER BODY FOR POLYIMIDE	3
3B1-076CP	D100-T 6 -H25.00-U 4-X 8-V110	COPPER BODY FOR POLYIMIDE	3



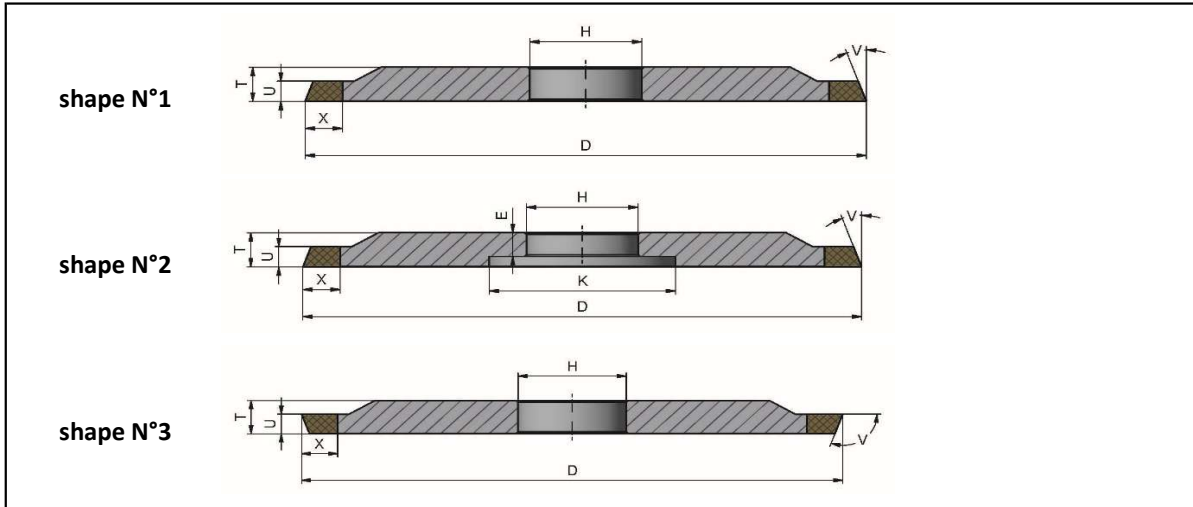
DRAWING	DIMENSIONS	BODY MATERIAL	N°
3B1-133CP	D100-T 6 -H25.00-U 4-X 8-V20	COPPER BODY FOR POLYMIDE	1
3B1-002CP	D100-T 6 -H25.00-U 4-X 8-V30	COPPER BODY FOR POLYMIDE	1
3B1-230CP	D100-T 6 -H25.00-U 4-X10-V120	COPPER BODY FOR POLYMIDE	3
3B1-006CP	D100-T 6 -H25.00-U 4-X10-V45	COPPER BODY FOR POLYMIDE	1
3B1-032CP	D100-T 6 -H25.00-U 5-X 8-V105	COPPER BODY FOR POLYMIDE	3
3B1-039CP	D100-T 6 -H25.00-U 5-X 8-V20	COPPER BODY FOR POLYMIDE	1
3B1-003CP	D100-T 6 -H25.00-U 5-X 8-V30	COPPER BODY FOR POLYMIDE	1
3B1-007CP	D100-T 6 -H25.00-U 5-X10-V45	COPPER BODY FOR POLYMIDE	1
3B1-344XP	D100-T 6 -H31.75-U 2-X 8-V110	ALU+COPPER BODY FOR POLYMIDE	3
3B1-173XP	D100-T 6 -H31.75-U 2-X 8-V20	ALU+COPPER BODY FOR POLYMIDE	1
3B1-271XP	D100-T 6 -H31.75-U 2-X 8-V30	ALU+COPPER BODY FOR POLYMIDE	1
3B1-088XP	D100-T 6 -H31.75-U 2-X 8-V45	ALU+COPPER BODY FOR POLYMIDE	1
3B1-370XP	D100-T 6 -H31.75-U 3-X 8-V10	ALU+COPPER BODY FOR POLYMIDE	1
3B1-374XP	D100-T 6 -H31.75-U 3-X 8-V110	ALU+COPPER BODY FOR POLYMIDE	3
3B1-288XP	D100-T 6 -H31.75-U 3-X 8-V110	ALU+COPPER BODY FOR POLYMIDE	3
3B1-095XP	D100-T 6 -H31.75-U 3-X 8-V20	ALU+COPPER BODY FOR POLYMIDE	1
3B1-235XP	D100-T 6 -H31.75-U 3-X 8-V30	ALU+COPPER BODY FOR POLYMIDE	1
3B1-287XP	D100-T 6 -H31.75-U 3-X 8-V45	ALU+COPPER BODY FOR POLYMIDE	1
3B1-414CP	D100-T 6 -H31.75-U 4-X 8-V10	COPPER BODY FOR POLYMIDE	1
3B1-129CP	D100-T 6 -H31.75-U 4-X 8-V20	COPPER BODY FOR POLYMIDE	1
3B1-272CP	D100-T 6 -H31.75-U 4-X 8-V30	COPPER BODY FOR POLYMIDE	1
3B1-202CP	D100-T 6 -H31.75-U 4-X10-V45	COPPER BODY FOR POLYMIDE	1
3B1-316CP	D100-T 6 -H31.75-U 4-X13.5-V60	COPPER BODY FOR POLYMIDE	1
3B1-405CP	D100-T 6 -H31.75-U 5-X 8-V10	COPPER BODY FOR POLYMIDE	1
3B1-238CP	D100-T 6 -H31.75-U 5-X 8-V20	COPPER BODY FOR POLYMIDE	1
3B1-237CP	D100-T 6 -H31.75-U 5-X 8-V30	COPPER BODY FOR POLYMIDE	1
3B1-391CP	D100-T 6 -H31.75-U 5-X10-V45	COPPER BODY FOR POLYMIDE	1
3B1-178XP	D100-T 6 -H32.00-U 2-X 8-V15	ALU+COPPER BODY FOR POLYMIDE	1
3B1-179XP	D100-T 6 -H32.00-U 2-X 8-V30	ALU+COPPER BODY FOR POLYMIDE	1
3B1-393CP	D100-T 6 -H32.00-U 4-X 8-V10	COPPER BODY FOR POLYMIDE	1
3B1-248XP	D100-T 6 -H35.00-U 1.5-X 6-V73	ALU+COPPER BODY FOR POLYMIDE	1
3B1-089XP	D100-T 6 -H35.00-U 1.5-X 8-V30	ALU+COPPER BODY FOR POLYMIDE	1
3B1-279XP	D100-T 6 -H35.00-U 2-X 8-V10	ALU+COPPER BODY FOR POLYMIDE	1
3B1-046XP	D100-T 6 -H35.00-U 2-X 8-V100	ALU+COPPER BODY FOR POLYMIDE	3



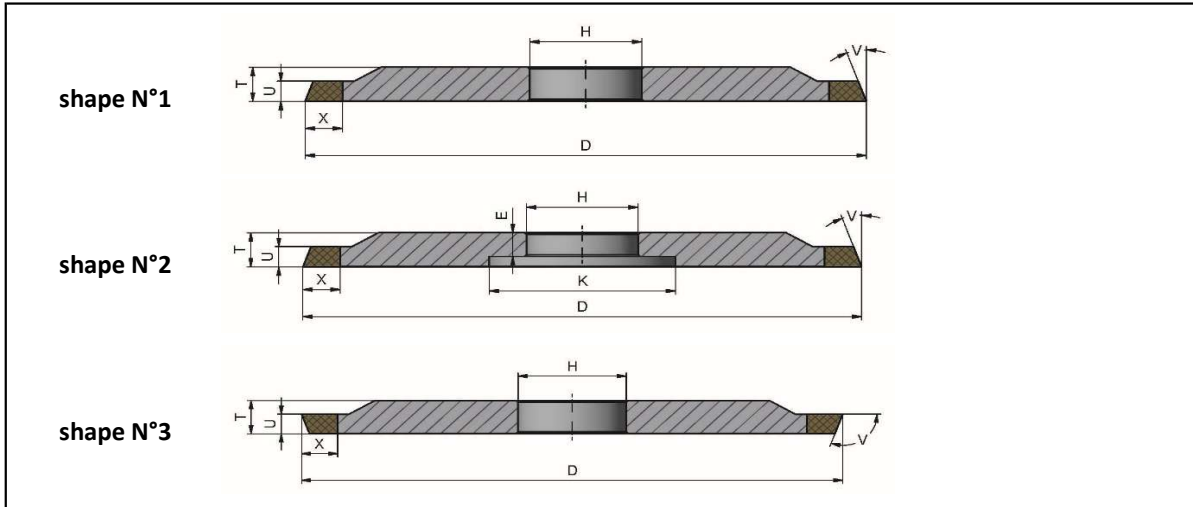
DRAWING	DIMENSIONS	BODY MATERIAL	N°
3B1-028XP	D100-T 6 -H35.00-U 2-X 8-V105	ALU+COPPER BODY FOR POLYIMIDE	3
3B1-334XP	D100-T 6 -H35.00-U 2-X 8-V110	ALU+COPPER BODY FOR POLYIMIDE	3
3B1-143XP	D100-T 6 -H35.00-U 2-X 8-V15	ALU+COPPER BODY FOR POLYIMIDE	1
3B1-047XP	D100-T 6 -H35.00-U 2-X 8-V20	ALU+COPPER BODY FOR POLYIMIDE	1
3B1-024XP	D100-T 6 -H35.00-U 2-X 8-V30	ALU+COPPER BODY FOR POLYIMIDE	1
3B1-008XP	D100-T 6 -H35.00-U 2-X 8-V45	ALU+COPPER BODY FOR POLYIMIDE	1
3B1-363XP	D100-T 6 -H35.00-U 3-X 8-V10	ALU+COPPER BODY FOR POLYIMIDE	1
3B1-029XP	D100-T 6 -H35.00-U 3-X 8-V105	ALU+COPPER BODY FOR POLYIMIDE	3
3B1-048XP	D100-T 6 -H35.00-U 3-X 8-V20	ALU+COPPER BODY FOR POLYIMIDE	1
3B1-025XP	D100-T 6 -H35.00-U 3-X 8-V30	ALU+COPPER BODY FOR POLYIMIDE	1
3B1-009XP	D100-T 6 -H35.00-U 3-X 8-V45	ALU+COPPER BODY FOR POLYIMIDE	1
3B1-416XP	D100-T 6 -H35.00-U 3-X10-V45	ALU+COPPER BODY FOR POLYIMIDE	1
3B1-083XP	D100-T 6 -H35.00-U 3-X10-V60	ALU+COPPER BODY FOR POLYIMIDE	1
3B1-342XP	D100-T 6 -H35.00-U 3-X10-V65	ALU+COPPER BODY FOR POLYIMIDE	1
3B1-364CP	D100-T 6 -H35.00-U 4-X 8-V10	COPPER BODY FOR POLYIMIDE	1
3B1-030CP	D100-T 6 -H35.00-U 4-X 8-V105	COPPER BODY FOR POLYIMIDE	3
3B1-166CP	D100-T 6 -H35.00-U 4-X 8-V20	COPPER BODY FOR POLYIMIDE	1
3B1-026CP	D100-T 6 -H35.00-U 4-X 8-V30	COPPER BODY FOR POLYIMIDE	1
3B1-010CP	D100-T 6 -H35.00-U 4-X10-V45	COPPER BODY FOR POLYIMIDE	1
3B1-031CP	D100-T 6 -H35.00-U 5-X 8-V105	COPPER BODY FOR POLYIMIDE	3
3B1-357CP	D100-T 6 -H35.00-U 5-X 8-V20	COPPER BODY FOR POLYIMIDE	1
3B1-027CP	D100-T 6 -H35.00-U 5-X 8-V30	COPPER BODY FOR POLYIMIDE	1
3B1-011CP	D100-T 6 -H35.00-U 5-X10-V45	COPPER BODY FOR POLYIMIDE	1
3B1-123XP	D100-T 6 -H38.00-U 3-X 8-V25	ALU+COPPER BODY FOR POLYIMIDE	1
3B1-392XP	D100-T 6 -H40.00-U 2-X 8-V20	ALU+COPPER BODY FOR POLYIMIDE	1
3B1-042XP	D100-T 6 -H40.00-U 2-X 8-V30	ALU+COPPER BODY FOR POLYIMIDE	1
3B1-177XP	D100-T 6 -H40.00-U 2-X 8-V45	ALU+COPPER BODY FOR POLYIMIDE	1
3B1-043XP	D100-T 6 -H40.00-U 3-X 8-V30	ALU+COPPER BODY FOR POLYIMIDE	1
3B1-234XP	D100-T 6 -H40.00-U 3-X 8-V45	ALU+COPPER BODY FOR POLYIMIDE	1
3B1-148XP	D100-T 6 -H40.00-U 3-X10-V70	ALU+COPPER BODY FOR POLYIMIDE	1
3B1-191CP	D100-T 6 -H40.00-U 4-X 8-V30	COPPER BODY FOR POLYIMIDE	1
3B1-205CP	D100-T 6 -H40.00-U 5-X 8-V20	COPPER BODY FOR POLYIMIDE	1
3B1-188CP	D100-T 6 -H40.00-U 5-X10-V45	COPPER BODY FOR POLYIMIDE	1
3B1-183XP	D100-T 6.6-H35.00-U 2.5-X 8-V50	ALU+COPPER BODY FOR POLYIMIDE	1



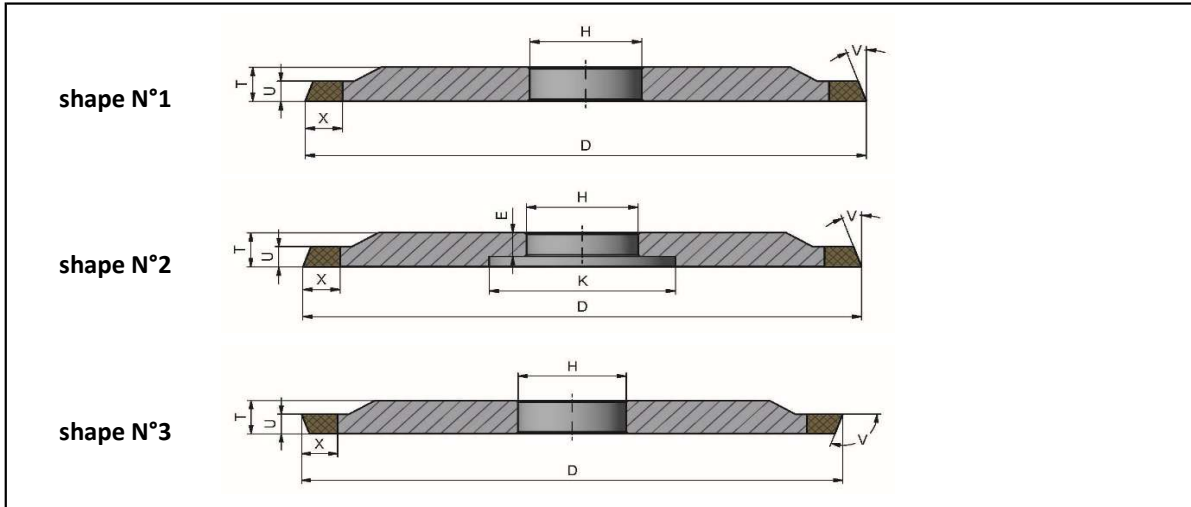
DRAWING	DIMENSIONS	BODY MATERIAL	N°
3B1-079XP	D100-T 8-H20.00-U 3-X 8-V30	ALU+COPPER BODY FOR POLYIMIDE	1
3B1-343XP	D100-T 8-H20.00-U 4-X 8-V20	ALU+COPPER BODY FOR POLYIMIDE	1
3B1-356XP	D100-T 8-H20.00-U 4-X 8-V30	ALU+COPPER BODY FOR POLYIMIDE	1
3B1-080XP	D100-T 8-H20.00-U 5-X 8-V30	ALU+COPPER BODY FOR POLYIMIDE	1
3B1-212XP	D100-T 8-H20.00-U 5-X10-V45	ALU+COPPER BODY FOR POLYIMIDE	1
3B1-355CP	D100-T 8-H20.00-U 6-X10-V20	COPPER BODY FOR POLYIMIDE	1
3B1-081CP	D100-T 8-H20.00-U 6-X10-V30	COPPER BODY FOR POLYIMIDE	1
3B1-241CP	D100-T 8-H20.00-U 6-X10-V45	COPPER BODY FOR POLYIMIDE	1
3B1-339XP	D100-T 8-H31.75-U 3-X 8-V20	ALU+COPPER BODY FOR POLYIMIDE	1
3B1-301XP	D100-T 8-H31.75-U 3-X10-V60	ALU+COPPER BODY FOR POLYIMIDE	1
3B1-302CP	D100-T 8-H31.75-U 6-X13.5-V60	COPPER BODY FOR POLYIMIDE	1
3B1-085CP	D100-T 8-H35.00-U 6-X10-V30	COPPER BODY FOR POLYIMIDE	1
3B1-068CP	D100-T 8-H40.00-U 6-X 8-V15	COPPER BODY FOR POLYIMIDE	1
3B1-073CP	D100-T 8-H40.00-U 6-X10-V45	COPPER BODY FOR POLYIMIDE	1
3B1-130XP	D100-T 8-H50.00-U 4-X 8-V20	ALU+COPPER BODY FOR POLYIMIDE	1
3B1-111XP	D100-T 8-H50.00-U 5-X 8-V30	ALU+COPPER BODY FOR POLYIMIDE	1
3B1-078XP	D100-T10-H20.00-U 2-X10-V60	ALU+COPPER BODY FOR POLYIMIDE	1
3B1-215XP	D100-T10-H20.00-U 4-X10-V45	ALU+COPPER BODY FOR POLYIMIDE	1
3B1-216XP	D100-T10-H20.00-U 6-X10-V30	ALU+COPPER BODY FOR POLYIMIDE	1
3B1-217XP	D100-T10-H20.00-U 6-X10-V45	ALU+COPPER BODY FOR POLYIMIDE	1
3B1-403XP	D100-T10-H31.75-U 6-X 8-V20	ALU+COPPER BODY FOR POLYIMIDE	1
3B1-145XP	D100-T10-H38.00-U 4-X10-V45	ALU+COPPER BODY FOR POLYIMIDE	1
3B1-059XP	D100-T10-H40.00-U 6-X 8-V15	ALU+COPPER BODY FOR POLYIMIDE	1
3B1-201XP	D100-T15-H20.00-U 5-X10-V10	ALU+COPPER BODY FOR POLYIMIDE	1
3B1-404XP	D125-T 6-H20.00-U 2-X 8-V10	ALU+COPPER BODY FOR POLYIMIDE	1
3B1-386XP	D125-T 6-H20.00-U 2-X 8-V20	ALU+COPPER BODY FOR POLYIMIDE	1
3B1-103XP	D125-T 6-H20.00-U 2-X 8-V30	ALU+COPPER BODY FOR POLYIMIDE	1
3B1-169XP	D125-T 6-H20.00-U 2-X 8-V45	ALU+COPPER BODY FOR POLYIMIDE	1
3B1-347XP	D125-T 6-H20.00-U 3-X 8-V10	ALU+COPPER BODY FOR POLYIMIDE	1
3B1-227XP	D125-T 6-H20.00-U 3-X 8-V100	ALU+COPPER BODY FOR POLYIMIDE	3
3B1-222XP	D125-T 6-H20.00-U 3-X 8-V20	ALU+COPPER BODY FOR POLYIMIDE	1
3B1-319XP	D125-T 6-H20.00-U 3-X 8-V30	ALU+COPPER BODY FOR POLYIMIDE	1
3B1-168XP	D125-T 6-H20.00-U 3-X 8-V45	ALU+COPPER BODY FOR POLYIMIDE	1
3B1-372XP	D125-T 6-H20.00-U 3-X10-V60	ALU+COPPER BODY FOR POLYIMIDE	1



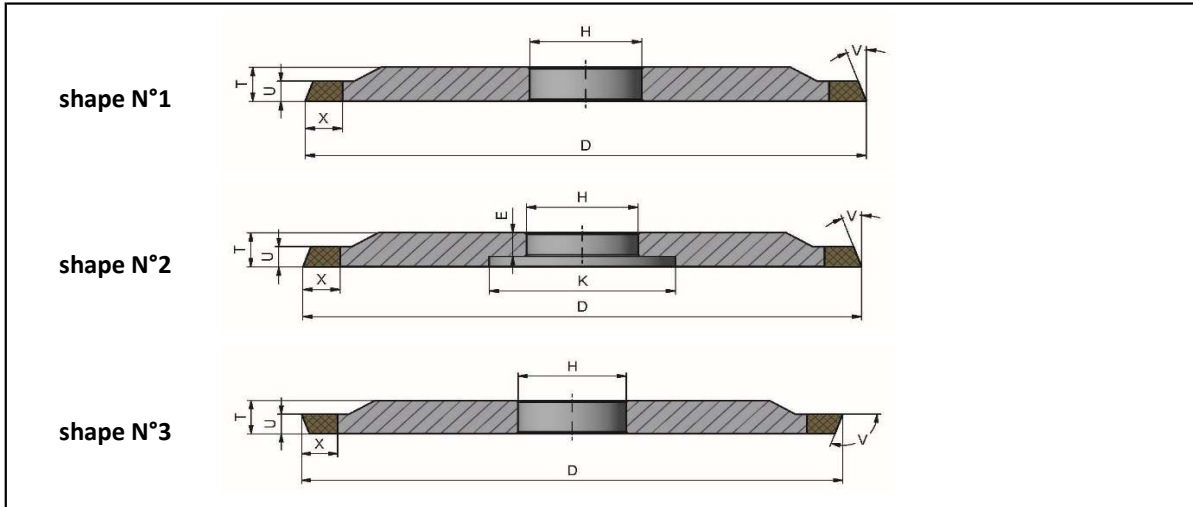
DRAWING	DIMENSIONS	BODY MATERIAL	N°
3B1-171XP	D125-T 6-H20.00-U 3-X10-V65	ALU+COPPER BODY FOR POLYIMIDE	1
3B1-262CP	D125-T 6-H20.00-U 4-X 8-V10	COPPER BODY FOR POLYIMIDE	1
3B1-407CP	D125-T 6-H20.00-U 4-X 8-V20	COPPER BODY FOR POLYIMIDE	1
3B1-305CP	D125-T 6-H20.00-U 4-X 8-V30	COPPER BODY FOR POLYIMIDE	1
3B1-187CP	D125-T 6-H20.00-U 4-X10-V45	COPPER BODY FOR POLYIMIDE	1
3B1-290CP	D125-T 6-H20.00-U 4-X10-V65	COPPER BODY FOR POLYIMIDE	1
3B1-340CP	D125-T 6-H20.00-U 5-X 8-V10	COPPER BODY FOR POLYIMIDE	1
3B1-375CP	D125-T 6-H20.00-U 5-X10-V30	COPPER BODY FOR POLYIMIDE	1
3B1-331CP	D125-T 6-H20.00-U 5-X10-V45	COPPER BODY FOR POLYIMIDE	1
3B1-160XP	D125-T 6-H25.00-U 2-X 8-V20	ALU+COPPER BODY FOR POLYIMIDE	1
3B1-139XP	D125-T 6-H25.00-U 3-X 8-V20	ALU+COPPER BODY FOR POLYIMIDE	1
3B1-062XP	D125-T 6-H25.00-U 3-X 8-V30	ALU+COPPER BODY FOR POLYIMIDE	1
3B1-087XP	D125-T 6-H25.00-U 3-X 8-V45	ALU+COPPER BODY FOR POLYIMIDE	1
3B1-069CP	D125-T 6-H25.00-U 4-X 8-V15	COPPER BODY FOR POLYIMIDE	1
3B1-120CP	D125-T 6-H25.00-U 4-X 8-V20	COPPER BODY FOR POLYIMIDE	1
3B1-400CP	D125-T 6-H25.00-U 4-X10-V30	COPPER BODY FOR POLYIMIDE	1
3B1-070CP	D125-T 6-H25.00-U 4-X10-V40	COPPER BODY FOR POLYIMIDE	1
3B1-101CP	D125-T 6-H25.00-U 5-X 8-V30	COPPER BODY FOR POLYIMIDE	1
3B1-381XP	D125-T 6-H31.75-U 2-X 8-V10	ALU+COPPER BODY FOR POLYIMIDE	1
3B1-376XP	D125-T 6-H31.75-U 2-X 8-V20	ALU+COPPER BODY FOR POLYIMIDE	1
3B1-127XP	D125-T 6-H31.75-U 2-X 8-V45	ALU+COPPER BODY FOR POLYIMIDE	1
3B1-114XP	D125-T 6-H31.75-U 3-X 8-V20	ALU+COPPER BODY FOR POLYIMIDE	1
3B1-324XP	D125-T 6-H31.75-U 3-X 8-V45	ALU+COPPER BODY FOR POLYIMIDE	1
3B1-368CP	D125-T 6-H31.75-U 4-X 8-V10	COPPER BODY FOR POLYIMIDE	1
3B1-115CP	D125-T 6-H31.75-U 4-X 8-V20	COPPER BODY FOR POLYIMIDE	1
3B1-322CP	D125-T 6-H31.75-U 4-X10-V45	COPPER BODY FOR POLYIMIDE	1
3B1-325CP	D125-T 6-H31.75-U 5-X10-V45	COPPER BODY FOR POLYIMIDE	1
3B1-186XP	D125-T 6-H32.00-U 2-X 8-V30	ALU+COPPER BODY FOR POLYIMIDE	1
3B1-161XP	D125-T 6-H35.00-U 2-X 8-V20	ALU+COPPER BODY FOR POLYIMIDE	1
3B1-134XP	D125-T 6-H35.00-U 3-X 8-V15	ALU+COPPER BODY FOR POLYIMIDE	1
3B1-333XP	D125-T 6-H35.00-U 3-X 8-V30	ALU+COPPER BODY FOR POLYIMIDE	1
3B1-236XP	D125-T 6-H35.00-U 3-X 8-V45	ALU+COPPER BODY FOR POLYIMIDE	1
3B1-207CP	D125-T 6-H35.00-U 4-X 8-V20	COPPER BODY FOR POLYIMIDE	1
3B1-131CP	D125-T 6-H50.00-U 4-X 8-V20	COPPER BODY FOR POLYIMIDE	1



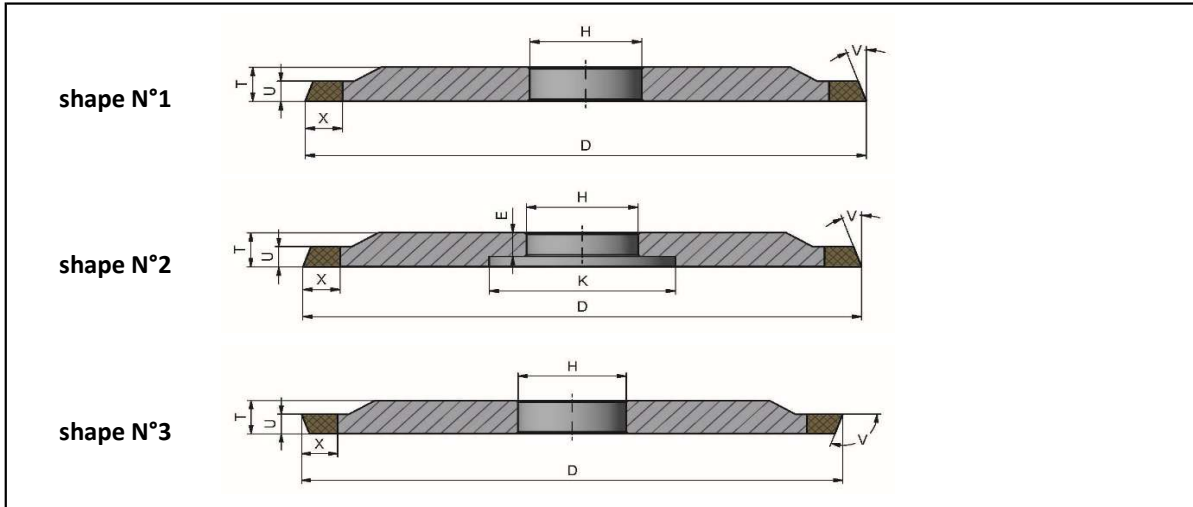
DRAWING	DIMENSIONS	BODY MATERIAL	N°
3B1-332XP	D125-T 8-H20.00-U 2-X 8-V10	ALU+COPPER BODY FOR POLYIMIDE	1
3B1-263XP	D125-T 8-H20.00-U 2-X 8-V45	ALU+COPPER BODY FOR POLYIMIDE	1
3B1-352XP	D125-T 8-H20.00-U 3-X 8-V10	ALU+COPPER BODY FOR POLYIMIDE	1
3B1-190XP	D125-T 8-H20.00-U 3-X 8-V15	ALU+COPPER BODY FOR POLYIMIDE	1
3B1-318XP	D125-T 8-H20.00-U 3-X 8-V45	ALU+COPPER BODY FOR POLYIMIDE	1
3B1-310XP	D125-T 8-H20.00-U 4-X 8-V110	ALU+COPPER BODY FOR POLYIMIDE	3
3B1-211XP	D125-T 8-H20.00-U 4-X 8-V20	ALU+COPPER BODY FOR POLYIMIDE	1
3B1-335XP	D125-T 8-H20.00-U 4-X10-V30	ALU+COPPER BODY FOR POLYIMIDE	1
3B1-346XP	D125-T 8-H20.00-U 5-X10-V45	ALU+COPPER BODY FOR POLYIMIDE	1
3B1-245CP	D125-T 8-H20.00-U 6-X 8-V10	COPPER BODY FOR POLYIMIDE	1
3B1-360CP	D125-T 8-H20.00-U 6-X10-V110	COPPER BODY FOR POLYIMIDE	3
3B1-189CP	D125-T 8-H20.00-U 6-X10-V45	COPPER BODY FOR POLYIMIDE	1
3B1-269CP	D125-T 8-H20.00-U 7-X 8-V10	COPPER BODY FOR POLYIMIDE	1
3B1-264XP	D125-T 8-H31.75-U 2-X 8-V30	ALU+COPPER BODY FOR POLYIMIDE	1
3B1-338XP	D125-T 8-H31.75-U 3-X 8-V20	ALU+COPPER BODY FOR POLYIMIDE	1
3B1-180XP	D125-T 8-H31.75-U 4-X10-V45	ALU+COPPER BODY FOR POLYIMIDE	1
3B1-313XP	D125-T 8-H31.75-U 5-X10-V45	ALU+COPPER BODY FOR POLYIMIDE	1
3B1-371CP	D125-T 8-H31.75-U 6-X10-V45	COPPER BODY FOR POLYIMIDE	1
3B1-297XP	D125-T 8-H32.00-U 3-X 8-V30	ALU+COPPER BODY FOR POLYIMIDE	1
3B1-306XP	D125-T 8-H32.00-U 4-X 8-V110	ALU+COPPER BODY FOR POLYIMIDE	3
3B1-298XP	D125-T 8-H32.00-U 4-X10-V30	ALU+COPPER BODY FOR POLYIMIDE	1
3B1-267XP	D125-T 8-H40.00-U 2-X 8-V45	ALU+COPPER BODY FOR POLYIMIDE	1
3B1-268XP	D125-T 8-H40.00-U 3-X 8-V45	ALU+COPPER BODY FOR POLYIMIDE	1
3B1-084XP	D125-T 8-H40.00-U 5-X 8-V20	ALU+COPPER BODY FOR POLYIMIDE	1
3B1-086CP	D125-T 8-H40.00-U 6-X 8-V15	COPPER BODY FOR POLYIMIDE	1
3B1-294CP	D125-T 8-H40.00-U 6-X10-V110	COPPER BODY FOR POLYIMIDE	3
3B1-155XP	D125-T 8-H50.00-U 2-X 8-V20	ALU+COPPER BODY FOR POLYIMIDE	1
3B1-196XP	D125-T 8-H50.00-U 2-X 8-V45	ALU+COPPER BODY FOR POLYIMIDE	1
3B1-408XP	D125-T 8-H50.00-U 2-X 8-V60	ALU+COPPER BODY FOR POLYIMIDE	1
3B1-140XP	D125-T 8-H50.00-U 3-X 8-V20	ALU+COPPER BODY FOR POLYIMIDE	1
3B1-359XP	D125-T 8-H50.00-U 3-X 8-V30	ALU+COPPER BODY FOR POLYIMIDE	1
3B1-221XP	D125-T 8-H50.00-U 3-X 8-V45	ALU+COPPER BODY FOR POLYIMIDE	1
3B1-353XP	D125-T 8-H50.00-U 4-X 8-V10	ALU+COPPER BODY FOR POLYIMIDE	1
3B1-132XP	D125-T 8-H50.00-U 4-X 8-V20	ALU+COPPER BODY FOR POLYIMIDE	1



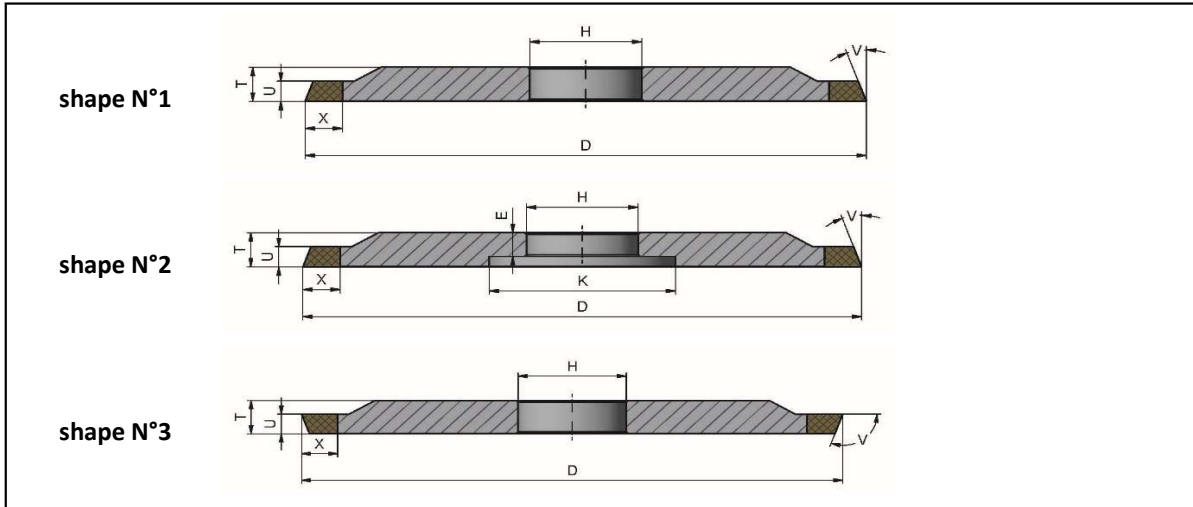
DRAWING	DIMENSIONS	BODY MATERIAL	N°
3B1-229XP	D125-T 8-H50.00-U 4-X10-V45	ALU+COPPER BODY FOR POLYIMIDE	1
3B1-077XP	D125-T10-H20.00-U 2-X 8-V45	ALU+COPPER BODY FOR POLYIMIDE	1
3B1-136XP	D125-T10-H20.00-U 6-X10-V30	ALU+COPPER BODY FOR POLYIMIDE	1
3B1-144XP	D125-T10-H38.00-U 4-X10-V45	ALU+COPPER BODY FOR POLYIMIDE	1
3B1-138XP	D125-T10-H38.00-U 6-X10-V30	ALU+COPPER BODY FOR POLYIMIDE	1
3B1-067XP	D125-T10-H40.00-U 6-X 8-V15	ALU+COPPER BODY FOR POLYIMIDE	1
3B1-307CP	D140-T 6-H40.00-U 4-X10-V20	COPPER BODY FOR POLYIMIDE	1
3b1-415xp	D140-T 8-H31.75-U 4-X10-V45	ALU+COPPER BODY FOR POLYIMIDE	1
3B1-151XP	D140-T 8-H50.00-U 3-X10-V15	ALU+COPPER BODY FOR POLYIMIDE	1
3B1-152XP	D140-T 8-H50.00-U 3-X10-V20	ALU+COPPER BODY FOR POLYIMIDE	1
3B1-150XP	D140-T15-H40.00-U 4-X10-V30	ALU+COPPER BODY FOR POLYIMIDE	1
3B1-206XP	D140-T15-H40.00-U 5-X10-V30	ALU+COPPER BODY FOR POLYIMIDE	1
3B1-102XP	D140-T15-H40.00-U 6-X10-V30	ALU+COPPER BODY FOR POLYIMIDE	1
3B1-124XP	D140-T15-H40.00-U 8-X10-V30	ALU+COPPER BODY FOR POLYIMIDE	1
3B1-100CP	D150-T 5-H50.00-U 3-X10-V50	COPPER BODY FOR POLYIMIDE	1
3B1-049XP	D150-T 6-H31.75-U 3-X 8-V20	ALU+COPPER BODY FOR POLYIMIDE	1
3B1-314XP	D150-T 8-H20.00-U 2-X 6-V10	ALU+COPPER BODY FOR POLYIMIDE	1
3B1-293XP	D150-T 8-H20.00-U 2-X 6-V45	ALU+COPPER BODY FOR POLYIMIDE	1
3B1-317XP	D150-T 8-H20.00-U 2-X 6-V70	ALU+COPPER BODY FOR POLYIMIDE	1
3B1-389XP	D150-T 8-H20.00-U 3-X 8-V10	ALU+COPPER BODY FOR POLYIMIDE	1
3B1-308XP	D150-T 8-H20.00-U 3-X 8-V20	ALU+COPPER BODY FOR POLYIMIDE	1
3B1-260XP	D150-T 8-H20.00-U 3-X 8-V30	ALU+COPPER BODY FOR POLYIMIDE	1
3B1-209XP	D150-T 8-H20.00-U 3-X 8-V45	ALU+COPPER BODY FOR POLYIMIDE	1
3B1-126XP	D150-T 8-H20.00-U 3-X10-V70	ALU+COPPER BODY FOR POLYIMIDE	1
3B1-309XP	D150-T 8-H20.00-U 4-X 6-V10	ALU+COPPER BODY FOR POLYIMIDE	1
3B1-320XP	D150-T 8-H20.00-U 4-X 8-V20	ALU+COPPER BODY FOR POLYIMIDE	1
3B1-327XP	D150-T 8-H20.00-U 4-X 8-V30	ALU+COPPER BODY FOR POLYIMIDE	1
3B1-199XP	D150-T 8-H20.00-U 4-X10-V135	ALU+COPPER BODY FOR POLYIMIDE	3
3B1-208XP	D150-T 8-H20.00-U 4-X10-V45	ALU+COPPER BODY FOR POLYIMIDE	1
3B1-033XP	D150-T 8-H20.00-U 5-X 6-V10	ALU+COPPER BODY FOR POLYIMIDE	1
3B1-198XP	D150-T 8-H20.00-U 5-X 6-V100	ALU+COPPER BODY FOR POLYIMIDE	3
3B1-257XP	D150-T 8-H20.00-U 5-X10-V10	ALU+COPPER BODY FOR POLYIMIDE	1
3B1-369XP	D150-T 8-H20.00-U 5-X10-V20	ALU+COPPER BODY FOR POLYIMIDE	1
3B1-254XP	D150-T 8-H20.00-U 5-X10-V30	ALU+COPPER BODY FOR POLYIMIDE	1



DRAWING	DIMENSIONS	BODY MATERIAL	N°
3B1-219XP	D150-T 8-H20.00-U 5-X10-V45	ALU+COPPER BODY FOR POLYIMIDE	1
3B1-270CP	D150-T 8-H20.00-U 6-X10-V10	COPPER BODY FOR POLYIMIDE	1
3B1-390CP	D150-T 8-H20.00-U 6-X10-V20	COPPER BODY FOR POLYIMIDE	1
3B1-252CP	D150-T 8-H20.00-U 6-X10-V30	COPPER BODY FOR POLYIMIDE	1
3B1-090CP	D150-T 8-H20.00-U 6-X10-V45	COPPER BODY FOR POLYIMIDE	1
3B1-406XP	D150-T 8-H25.00-U 4-X 8-V30	ALU+COPPER BODY FOR POLYIMIDE	1
3B1-380XP	D150-T 8-H31.75-U 2-X 6-V10	ALU+COPPER BODY FOR POLYIMIDE	1
3B1-300XP	D150-T 8-H31.75-U 2-X 6-V20	ALU+COPPER BODY FOR POLYIMIDE	1
3B1-304XP	D150-T 8-H31.75-U 2-X 6-V45	ALU+COPPER BODY FOR POLYIMIDE	1
3B1-383XP	D150-T 8-H31.75-U 3-X 8-V10	ALU+COPPER BODY FOR POLYIMIDE	1
3B1-384XP	D150-T 8-H31.75-U 3-X 8-V20	ALU+COPPER BODY FOR POLYIMIDE	1
3B1-385XP	D150-T 8-H31.75-U 3-X 8-V30	ALU+COPPER BODY FOR POLYIMIDE	1
3B1-326XP	D150-T 8-H31.75-U 3-X 8-V45	ALU+COPPER BODY FOR POLYIMIDE	1
3B1-382XP	D150-T 8-H31.75-U 4-X 8-V10	ALU+COPPER BODY FOR POLYIMIDE	1
3B1-121XP	D150-T 8-H31.75-U 4-X 8-V20	ALU+COPPER BODY FOR POLYIMIDE	1
3B1-242XP	D150-T 8-H31.75-U 4-X 8-V30	ALU+COPPER BODY FOR POLYIMIDE	1
3B1-266XP	D150-T 8-H31.75-U 4-X10-V45	ALU+COPPER BODY FOR POLYIMIDE	1
3B1-412XP	D150-T 8-H31.75-U 5-X 8-V10	ALU+COPPER BODY FOR POLYIMIDE	1
3B1-051XP	D150-T 8-H31.75-U 5-X10-V30	ALU+COPPER BODY FOR POLYIMIDE	1
3B1-312XP	D150-T 8-H31.75-U 5-X10-V45	ALU+COPPER BODY FOR POLYIMIDE	1
3B1-292CP	D150-T 8-H31.75-U 6-X10-V20	COPPER BODY FOR POLYIMIDE	1
3B1-050CP	D150-T 8-H31.75-U 6-X10-V30	COPPER BODY FOR POLYIMIDE	1
3B1-399CP	D150-T 8-H31.75-U 6-X10-V45	COPPER BODY FOR POLYIMIDE	1
3B1-040XP	D150-T 8-H32.00-U 5-X10-V30	ALU+COPPER BODY FOR POLYIMIDE	1
3B1-273CP	D150-T 8-H32.00-U 7-X10-V10	COPPER BODY FOR POLYIMIDE	1
3B1-061XP	D150-T 8-H35.00-U 3-X 8-V45	ALU+COPPER BODY FOR POLYIMIDE	1
3B1-146XP	D150-T 8-H40.00-U 3-X 8-V15	ALU+COPPER BODY FOR POLYIMIDE	1
3B1-044XP	D150-T 8-H40.00-U 3-X 8-V30	ALU+COPPER BODY FOR POLYIMIDE	1
3B1-240XP	D150-T 8-H40.00-U 4-X 8-V30	ALU+COPPER BODY FOR POLYIMIDE	1
3B1-147XP	D150-T 8-H40.00-U 5-X 8-V15	ALU+COPPER BODY FOR POLYIMIDE	1
3B1-045XP	D150-T 8-H40.00-U 5-X10-V30	ALU+COPPER BODY FOR POLYIMIDE	1
3B1-118CP	D150-T 8-H40.00-U 7-X10-V20	COPPER BODY FOR POLYIMIDE	1
3B1-239CP	D150-T 8-H40.00-U 7-X10-V30	COPPER BODY FOR POLYIMIDE	1
3B1-367XP	D150-T 8-H45.00-U 2 -X 6-V45	ALU+COPPER BODY FOR POLYIMIDE	1



DRAWING	DIMENSIONS	BODY MATERIAL	N°
3B1-167XP	D150-T 8-H50.00-U 1.5 -X 6-V10	ALU+COPPER BODY FOR POLYIMIDE	1
3B1-156XP	D150-T 8-H50.00-U 1.5 -X 6-V45	ALU+COPPER BODY FOR POLYIMIDE	1
3B1-016XP	D150-T 8-H50.00-U 2 -X 6-V10	ALU+COPPER BODY FOR POLYIMIDE	1
3B1-074XP	D150-T 8-H50.00-U 2 -X 6-V20	ALU+COPPER BODY FOR POLYIMIDE	1
3B1-071XP	D150-T 8-H50.00-U 2 -X 6-V45	ALU+COPPER BODY FOR POLYIMIDE	1
3B1-017XP	D150-T 8-H50.00-U 3 -X 6-V10	ALU+COPPER BODY FOR POLYIMIDE	1
3B1-053XP	D150-T 8-H50.00-U 3 -X 8-V20	ALU+COPPER BODY FOR POLYIMIDE	1
3B1-052XP	D150-T 8-H50.00-U 3 -X 8-V30	ALU+COPPER BODY FOR POLYIMIDE	1
3B1-066XP	D150-T 8-H50.00-U 3 -X 8-V45	ALU+COPPER BODY FOR POLYIMIDE	1
3B1-054XP	D150-T 8-H50.00-U 3.5-X 6-V10	ALU+COPPER BODY FOR POLYIMIDE	1
3B1-018XP	D150-T 8-H50.00-U 4 -X 6-V10	ALU+COPPER BODY FOR POLYIMIDE	1
3B1-122XP	D150-T 8-H50.00-U 4 -X 8-V20	ALU+COPPER BODY FOR POLYIMIDE	1
3B1-023XP	D150-T 8-H50.00-U 4 -X 8-V30	ALU+COPPER BODY FOR POLYIMIDE	1
3B1-063XP	D150-T 8-H50.00-U 4 -X10-V45	ALU+COPPER BODY FOR POLYIMIDE	1
3B1-055XP	D150-T 8-H50.00-U 4.5-X 6-V10	ALU+COPPER BODY FOR POLYIMIDE	1
3B1-019XP	D150-T 8-H50.00-U 5 -X 6-V10	ALU+COPPER BODY FOR POLYIMIDE	1
3B1-137XP	D150-T 8-H50.00-U 5 -X 8-V20	ALU+COPPER BODY FOR POLYIMIDE	1
3B1-022XP	D150-T 8-H50.00-U 5 -X10-V30	ALU+COPPER BODY FOR POLYIMIDE	1
3B1-250XP	D150-T 8-H50.00-U 5 -X10-V45	ALU+COPPER BODY FOR POLYIMIDE	1
3B1-056XP	D150-T 8-H50.00-U 5.5-X 6-V10	ALU+COPPER BODY FOR POLYIMIDE	1
3B1-020CP	D150-T 8-H50.00-U 6 -X 6-V10	COPPER BODY FOR POLYIMIDE	1
3B1-261CP	D150-T 8-H50.00-U 6 -X10-V15	COPPER BODY FOR POLYIMIDE	1
3B1-021CP	D150-T 8-H50.00-U 6 -X10-V30	COPPER BODY FOR POLYIMIDE	1
3B1-210CP	D150-T 8-H50.00-U 6 -X10-V45	COPPER BODY FOR POLYIMIDE	1
3B1-057CP	D150-T 8-H50.00-U 6.5-X 6-V10	COPPER BODY FOR POLYIMIDE	1
3B1-311CP	D150-T 8-H50.00-U 7 -X10-V30	COPPER BODY FOR POLYIMIDE	1
3B1-213XP	D150-T10-H20.00-U 6-X10-V30	ALU+COPPER BODY FOR POLYIMIDE	1
3B1-214XP	D150-T10-H20.00-U 6-X10-V45	ALU+COPPER BODY FOR POLYIMIDE	1
3B1-072XP	D150-T10-H20.00-U 7-X10-V(special)	ALU+COPPER BODY FOR POLYIMIDE	1
3B1-128XP	D150-T10-H31.75-U 4-X10-V110	ALU+COPPER BODY FOR POLYIMIDE	3
3B1-253XP	D150-T10-H40.00-U 5-X 6-V10	ALU+COPPER BODY FOR POLYIMIDE	1
3B1-096XP	D150-T10-H50.00-U 5-X10-V(special)	ALU+COPPER BODY FOR POLYIMIDE	1
3B1-097XP	D150-T10-H50.00-U 5-X10-V(special)	ALU+COPPER BODY FOR POLYIMIDE	1
3B1-117XP	D150-T10-H50.00-U 5-X10-V(special)	ALU+COPPER BODY FOR POLYIMIDE	1



DRAWING	DIMENSIONS	BODY MATERIAL	N°
3B1-170CP	D150-T10-H50.00-U 8 -X10-V30	COPPER BODY FOR POLYIMIDE	1
3B1-185XP	D150-T16-H40.00-U 8-X10-V10	ALU+COPPER BODY FOR POLYIMIDE	1
3B1-328XP	D150-T20-H31.75-U 3-X10-V45-E12-K62	ALU+COPPER BODY FOR POLYIMIDE	2
3B1-388XP	D200-T10-H20.00-U 5-X10-V45	ALU+COPPER BODY FOR POLYIMIDE	1
3B1-113XP	D200-T10-H76.00-U 2-X 6-V16	ALU+COPPER BODY FOR POLYIMIDE	1
3B1-398SM	D250-T20-H31.75-U 4-X 6-V45-E12-K62	STEEL BODY FOR METAL BOND	2